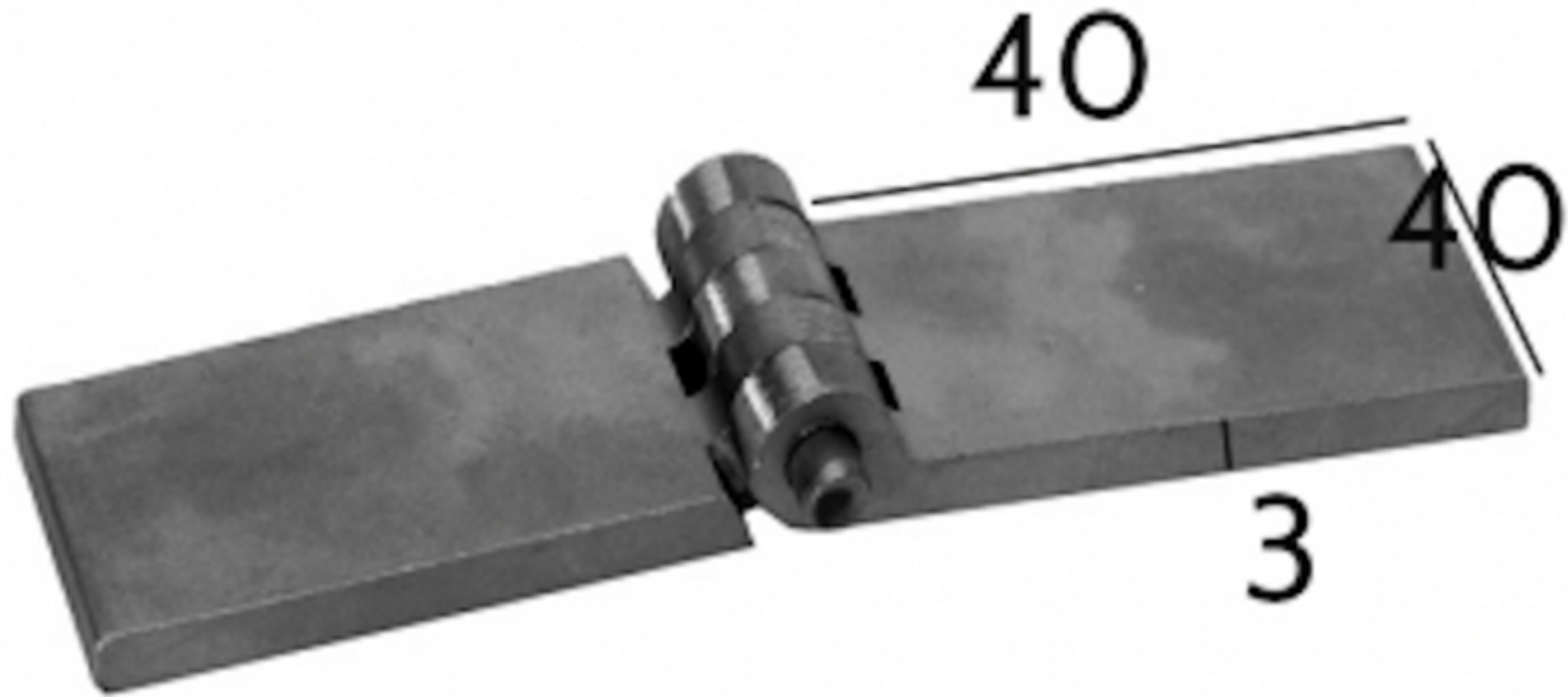


TECHNICAL DRAWING



Tower Industry
YOUR MANUFACTURING BASE IN CHINA

Sales@tower-machinery.com
www.tower-machinery.com

TW40403

Hinge 40x40x3mm

HINGE PIN: 4mm

MATERIAL: Steel

JOINT SPACING: 5