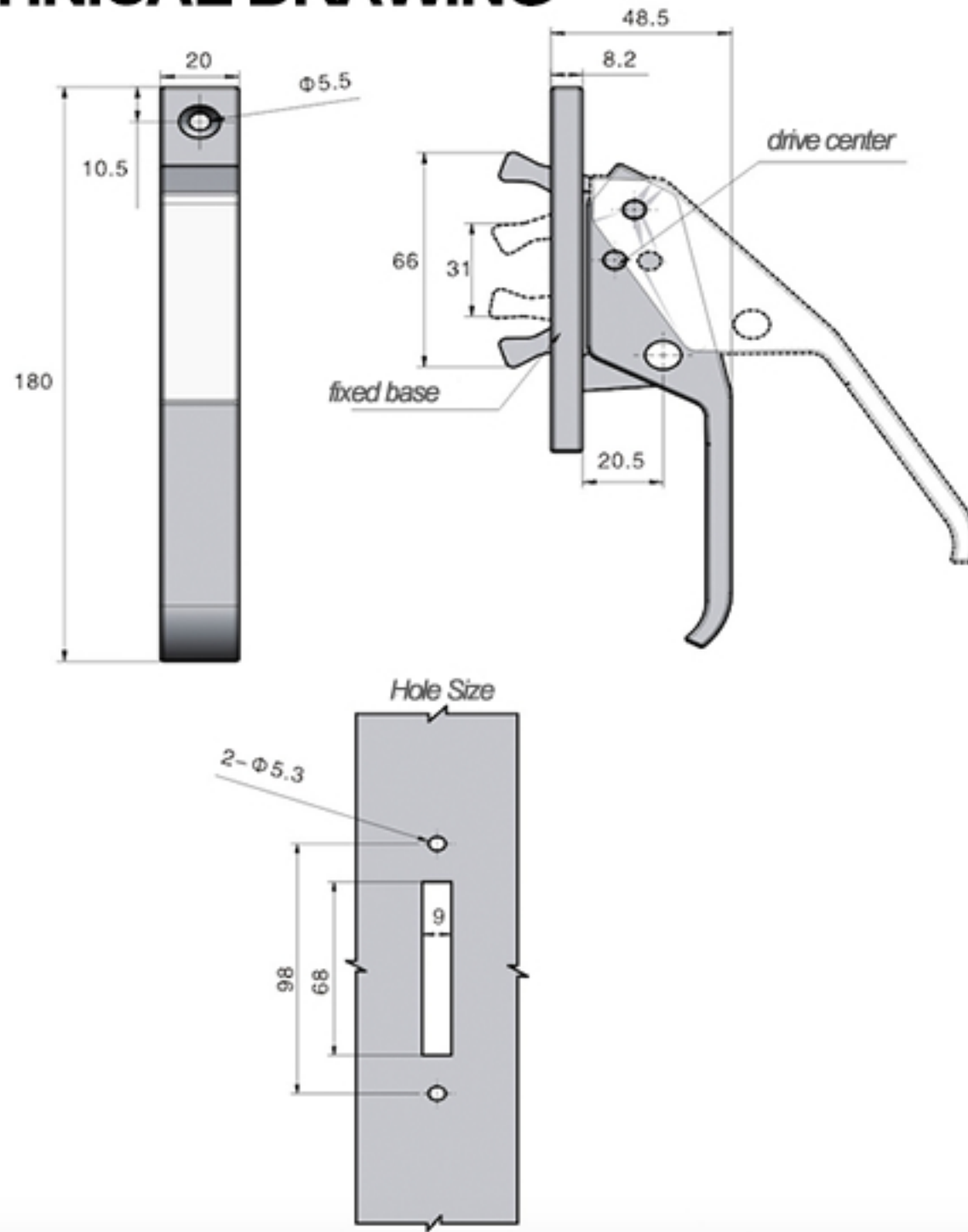


TECHNICAL DRAWING



Tower Industry
YOUR MANUFACTURING BASE IN CHINA

Sales@tower-machinery.com
www.tower-machinery.com

TW338-1

Handle Lock

MATERIA: ZDC base, handle, steel cam.
SURFACE: Power coated base and handle.
Zinc plated cam
REMARK: Handle combines with latch.