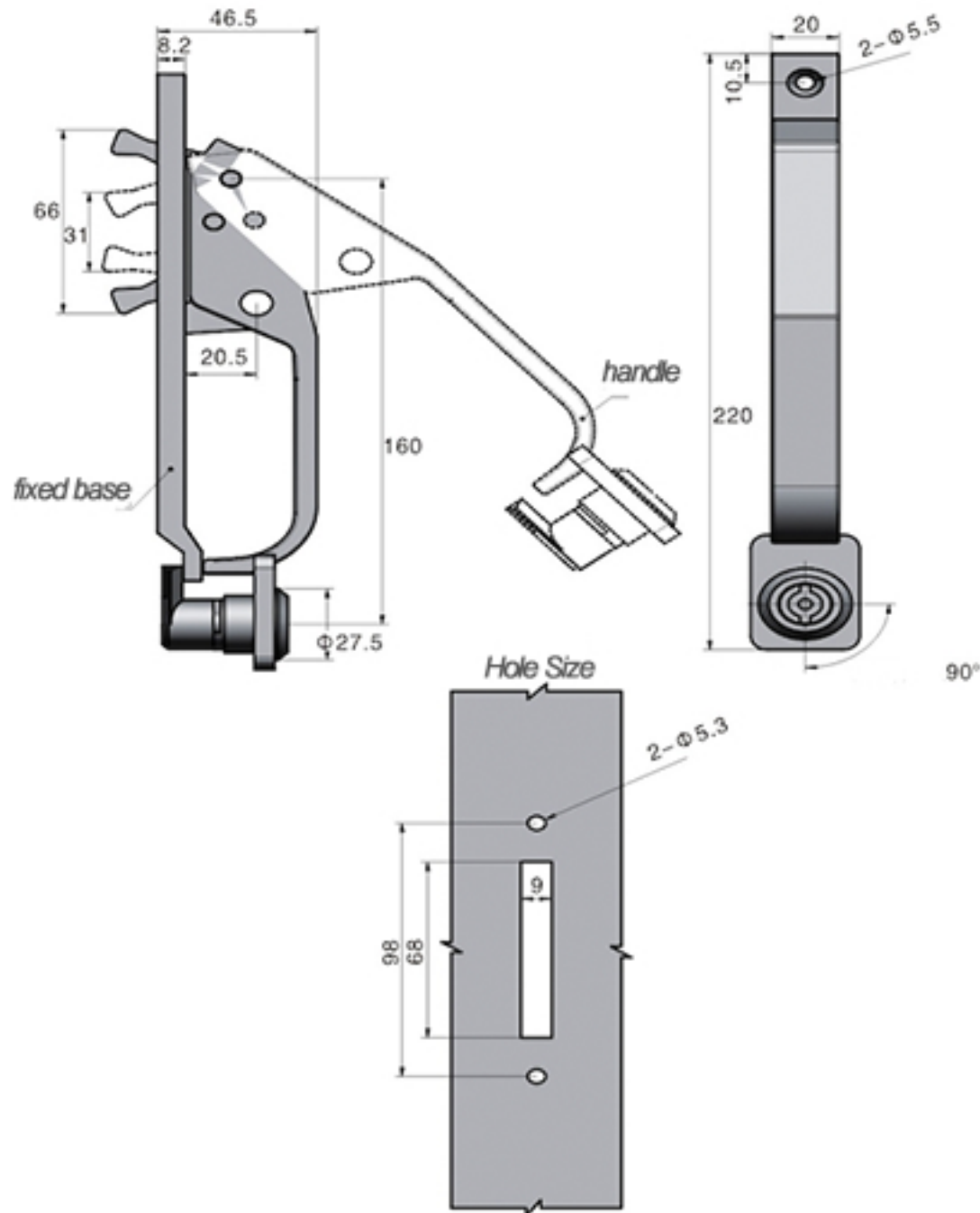


TECHNICAL DRAWING



Tower Industry
YOUR MANUFACTURING BASE IN CHINA

Sales@tower-machinery.com
www.tower-machinery.com

TW338

Handle Lock

MATERIA: ZDC base, handle, cylinder, barrel.

SURFACE: Power coated base, handle, cylinder barrel

REMARK: Handle combines with latch. rod-latch system on sketch is just for reference, generally prepared by user