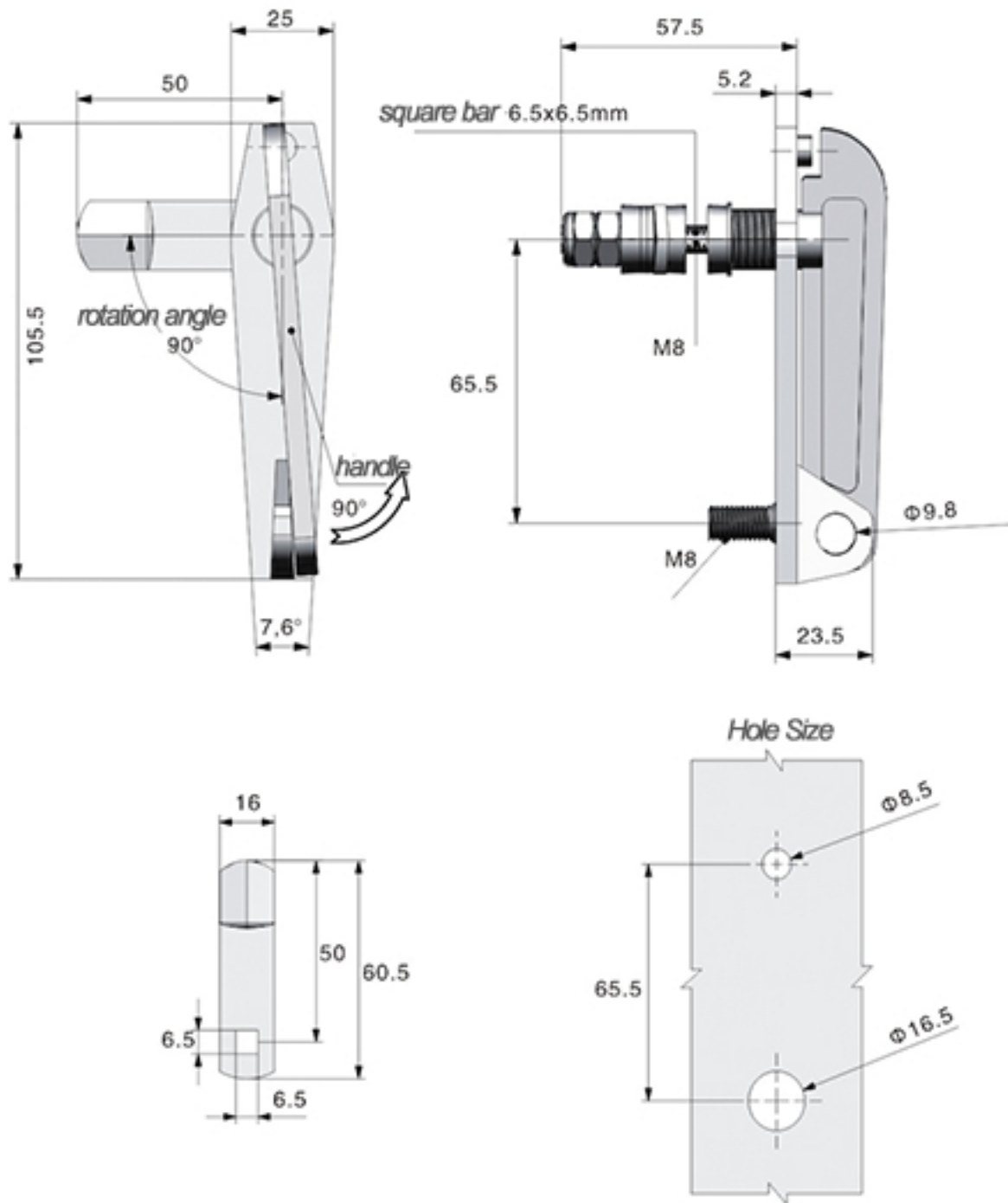


TECHNICAL DRAWING



Tower Industry
YOUR MANUFACTURING BASE IN CHINA

Sales@tower-machinery.com
www.tower-machinery.com

TW332
Handle Lock

MATERIA: ZDC base, handle. Steel shaft and cam.
SURFACE: Power coated handle and base.
Zinc plated shaft, cam.
REMARK: 90 degree turn achieve open and lock.