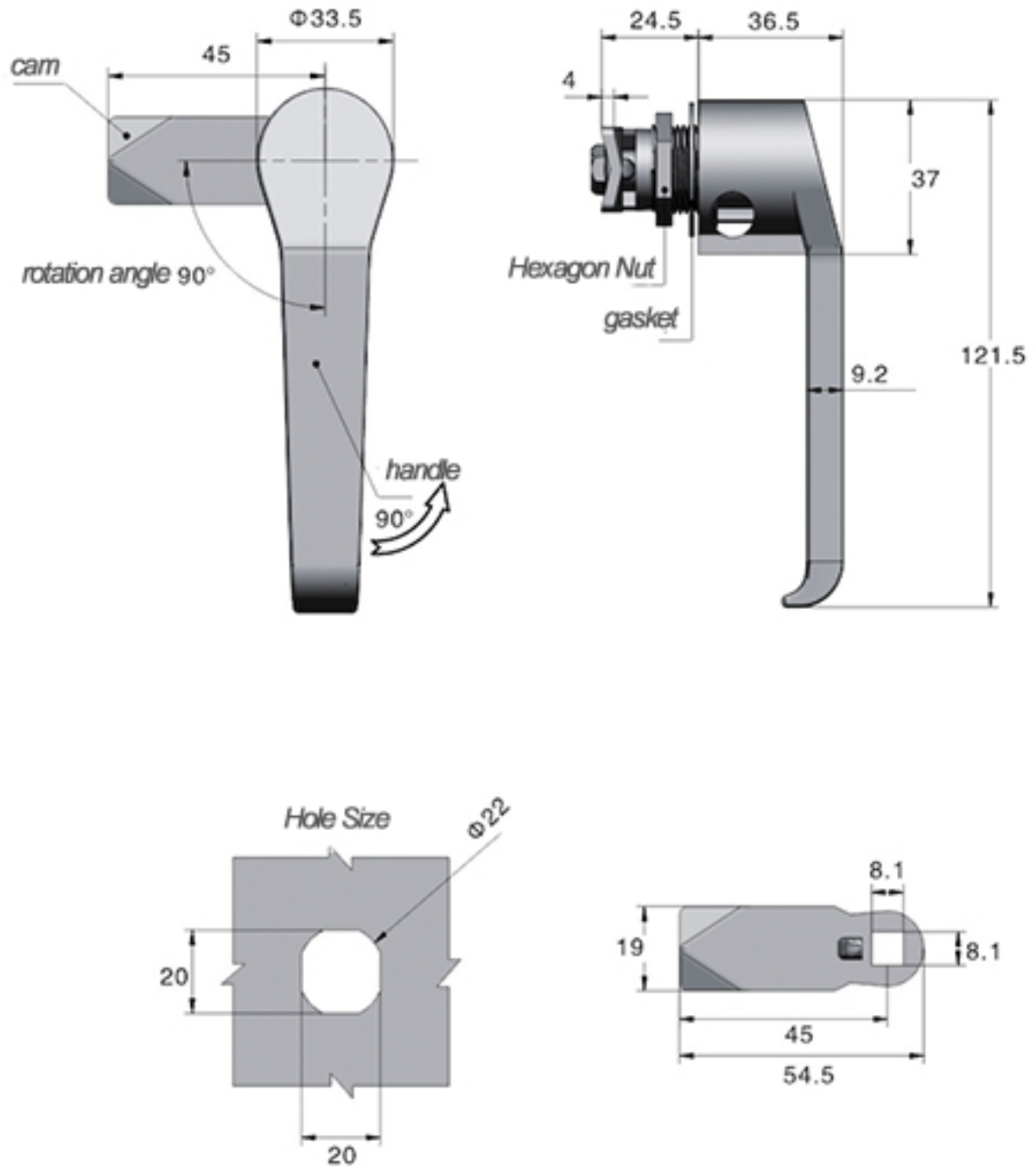


# TECHNICAL DRAWING



**Tower Industry**  
YOUR MANUFACTURING BASE IN CHINA

Sales@tower-machinery.com  
www.tower-machinery.com

**TW331**  
Handle Lock

**MATERIA:** ZDC base, handle. Steel cam.

**SURFACE:** Power coated handle.

Zinc plated cam and base.

**REMARK:** 90 degree turn achieve open and lock.