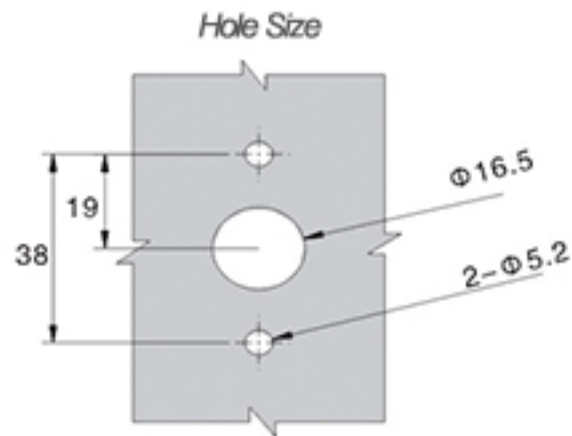
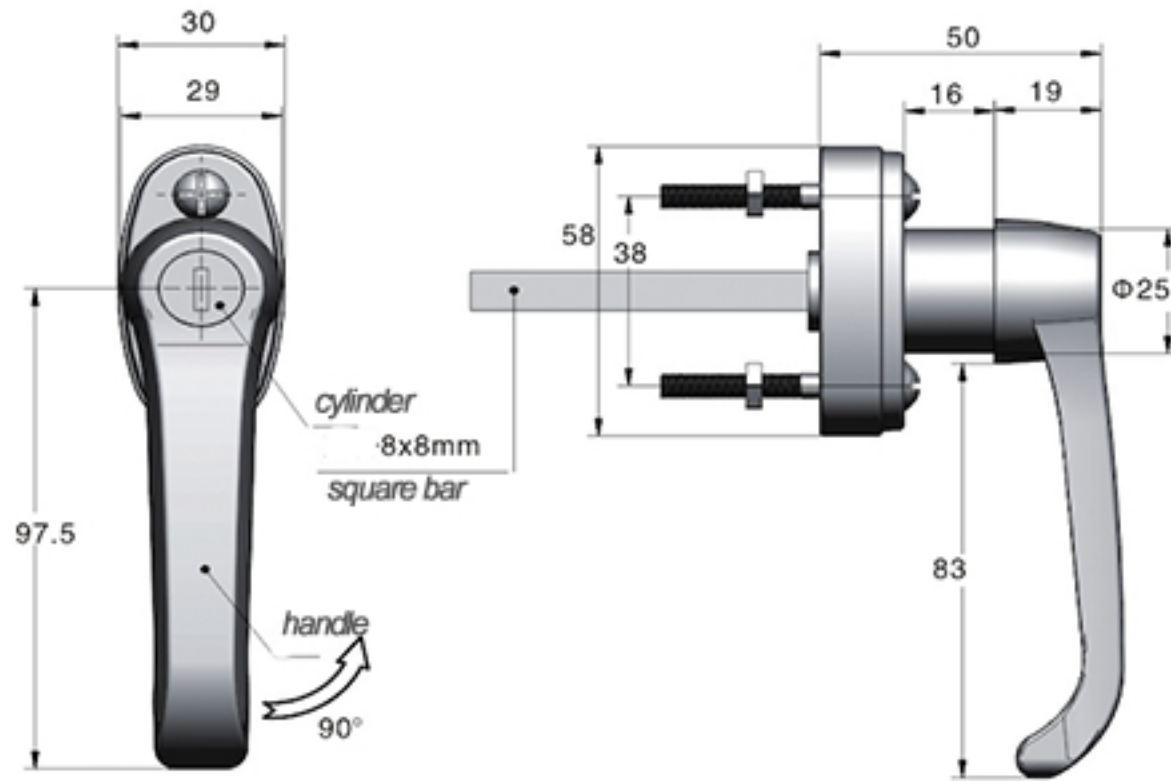


TECHNICAL DRAWING



Tower Industry
YOUR MANUFACTURING BASE IN CHINA

Sales@tower-machinery.com
www.tower-machinery.com

TW330-A
Handle Lock

MATERIA: ZDC base, handle, cylinder. Steel shaft.

SURFACE: Chrome plated cylinder, power coated handle and base. Zinc plated shaft.

REMARK: 90 degree turn achieve open and lock.