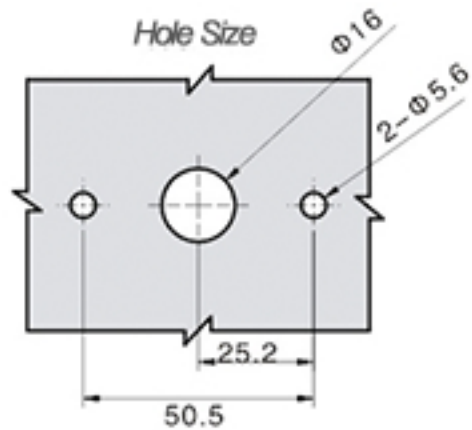
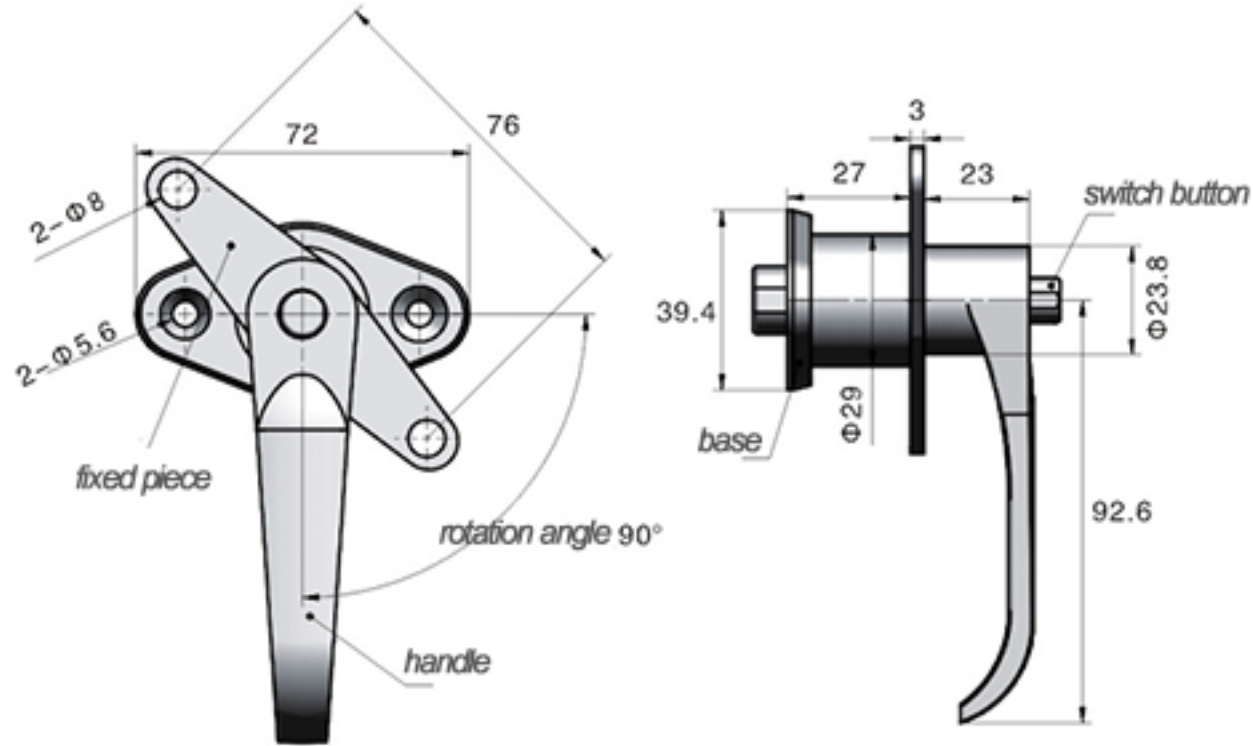


# TECHNICAL DRAWING



**Tower Industry**  
YOUR MANUFACTURING BASE IN CHINA

Sales@tower-machinery.com  
www.tower-machinery.com

TW328-C  
Handle Lock

**MATERIA:** ZDC base, button, handle. Steel latch

**SURFACE:** Zinc plated latch.

**REMARK:** Handle with latch 90 degree turn achieve open and lock.