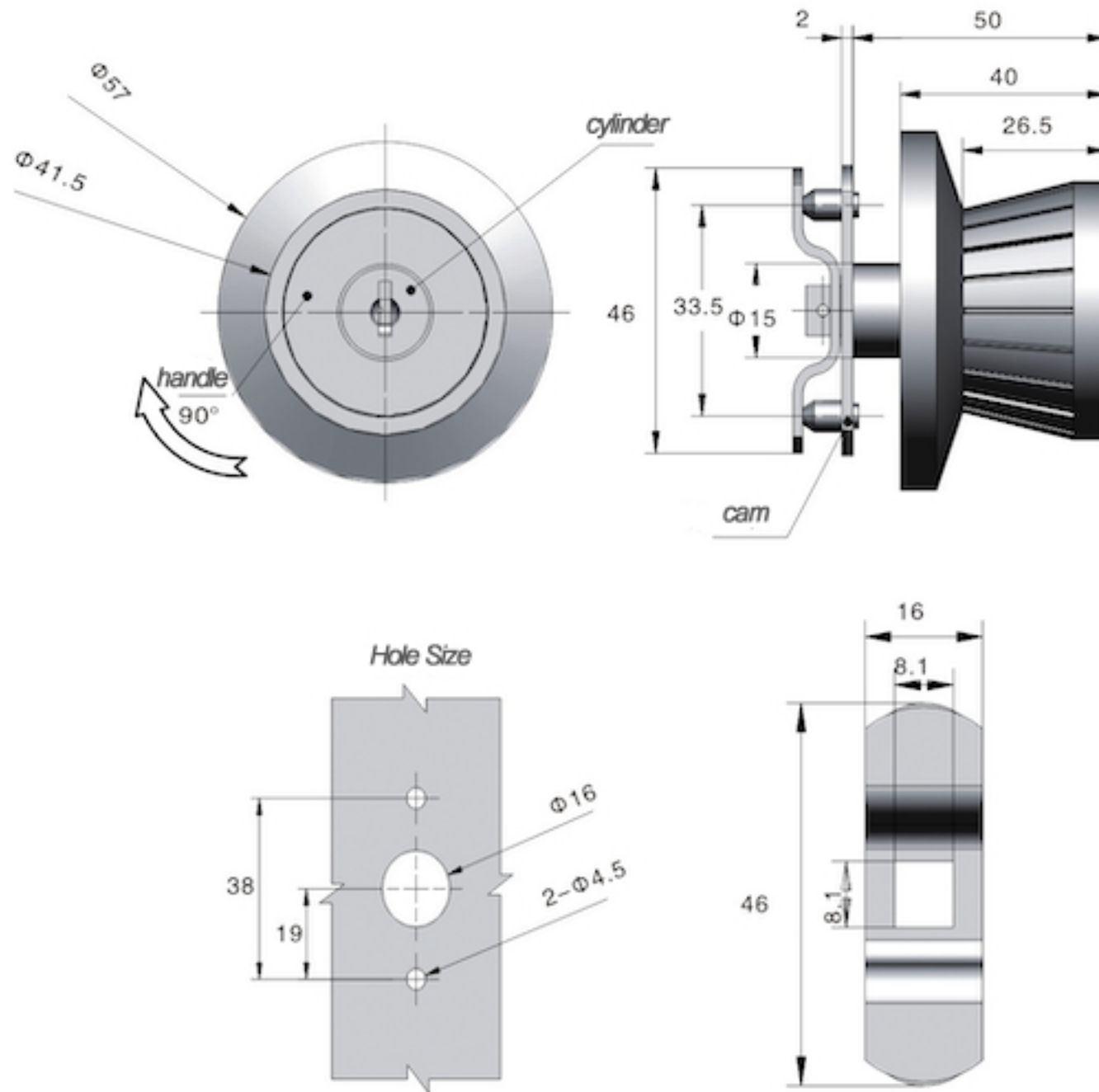


TECHNICAL DRAWING



Tower Industry
YOUR MANUFACTURING BASE IN CHINA

Sales@tower-machinery.com
www.tower-machinery.com

TW326
Handle Lock

MATERIA: ZDC base, handle, cylinder. Steel fixings.
SURFACE: Chrome plated cylinder, handle and base.
Zinc plated fixings.
REMARK: 30 degree turn achieve open and lock.