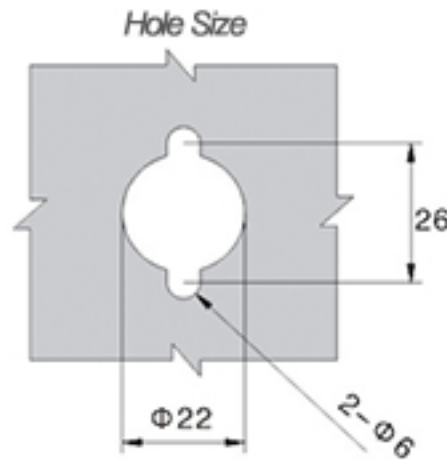
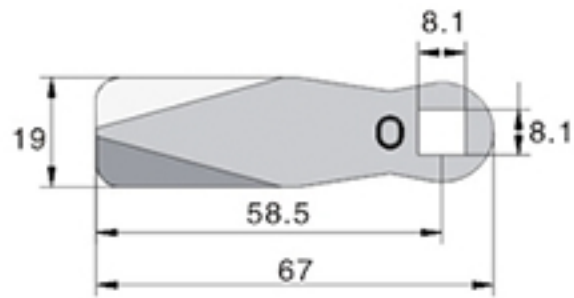
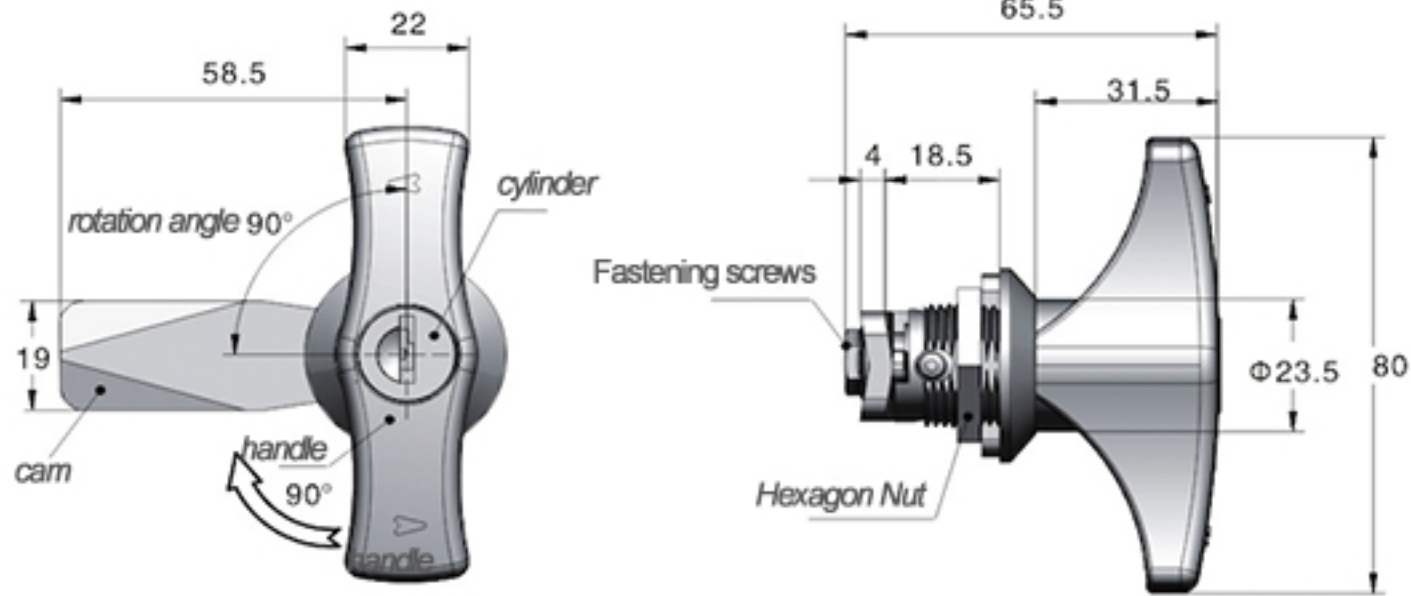


TECHNICAL DRAWING



Tower Industry
YOUR MANUFACTURING BASE IN CHINA

Sales@tower-machinery.com
www.tower-machinery.com

TW325
Handle Lock

MATERIA: ZDC base, handle, cylinder. Steel shaft.

SURFACE: Chrome plated cylinder, power coated handle, base. Zinc plated cam.

REMARK: 90 degree turn achieve open and lock.