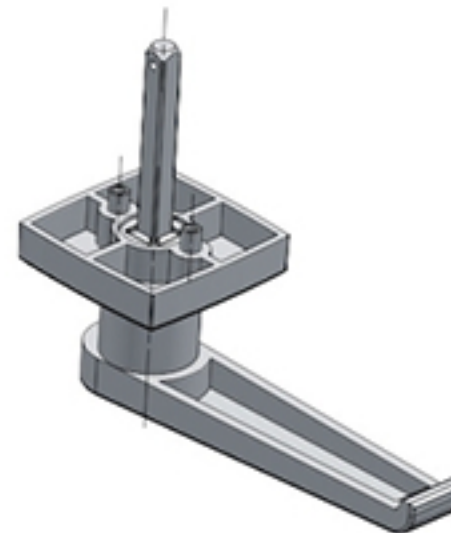
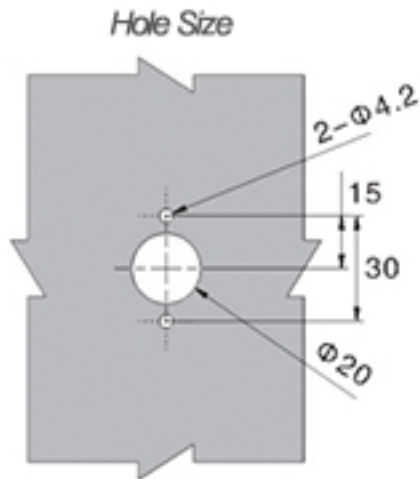
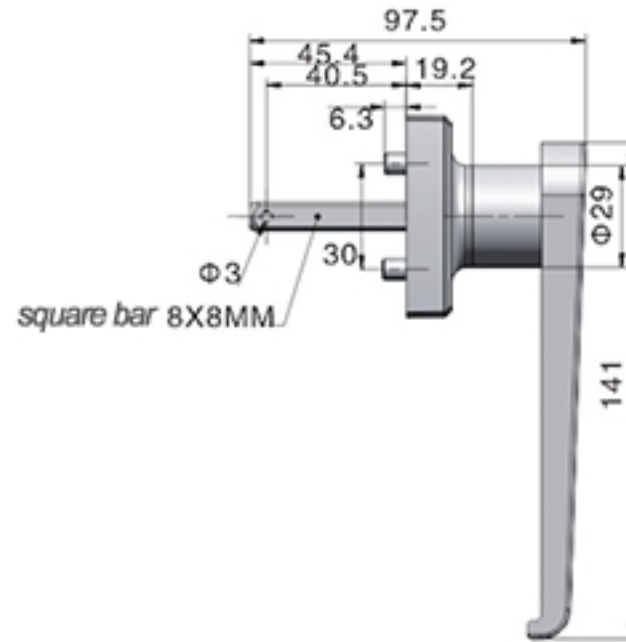
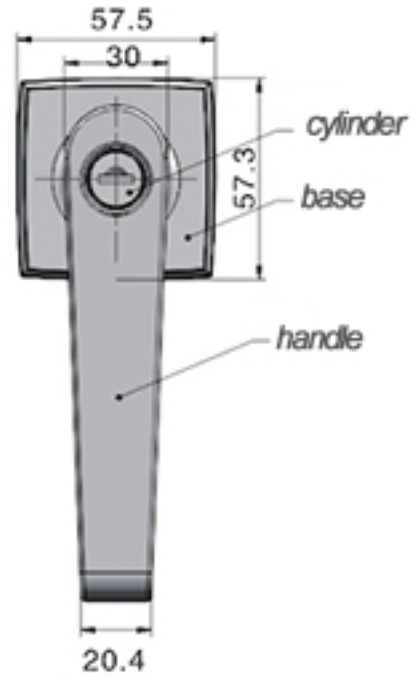


TECHNICAL DRAWING



Tower Industry
YOUR MANUFACTURING BASE IN CHINA

Sales@tower-machinery.com
www.tower-machinery.com

TW324
Handle Lock

MATERIA: ZDC base, handle, cylinder. Steel shaft.
SURFACE: Matt chrome plated cylinder, handle and base. Zinc plated shaft.
REMARK: 90 degree turn achieve open and lock.
RH/LH open