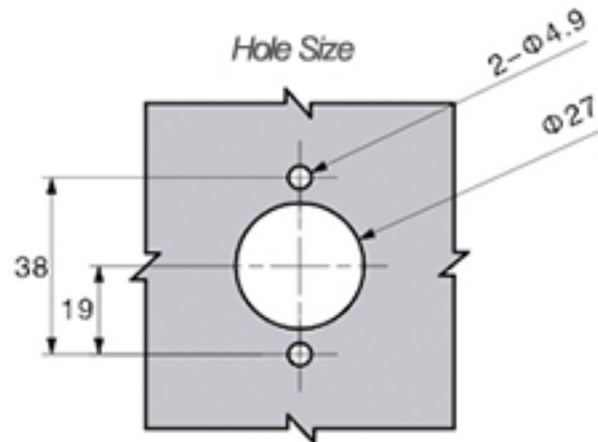
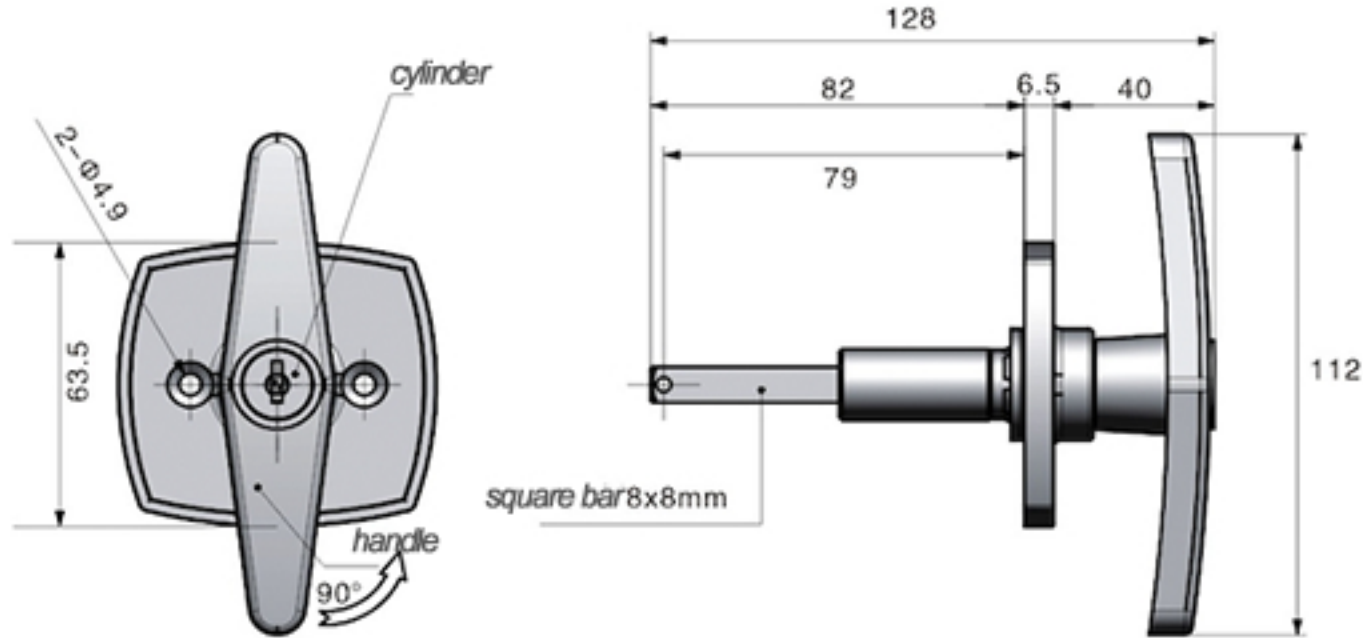


# TECHNICAL DRAWING



**Tower Industry**  
YOUR MANUFACTURING BASE IN CHINA

Sales@tower-machinery.com  
www.tower-machinery.com

**TW323-B**  
Handle Lock

**MATERIA:** ZDC base, handle, cylinder with stainless steel caps. Steel shaft.

**SURFACE:** Painted plated handle, base.  
Zinc plated cylinder, shaft.

**REMARK:** 90 degree turn achieve open and lock.