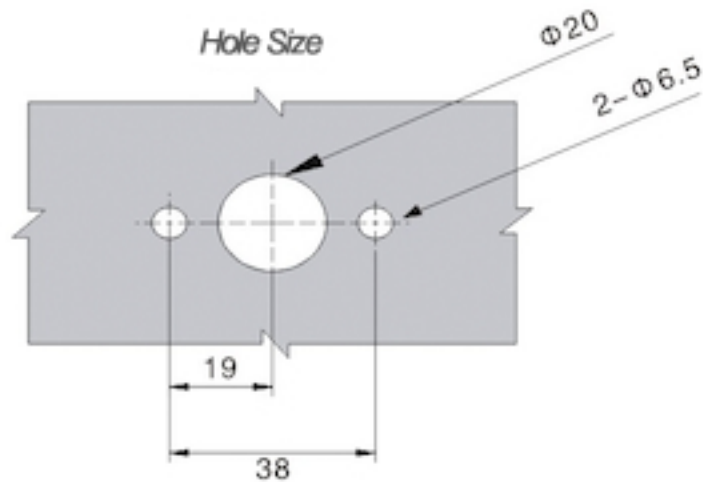
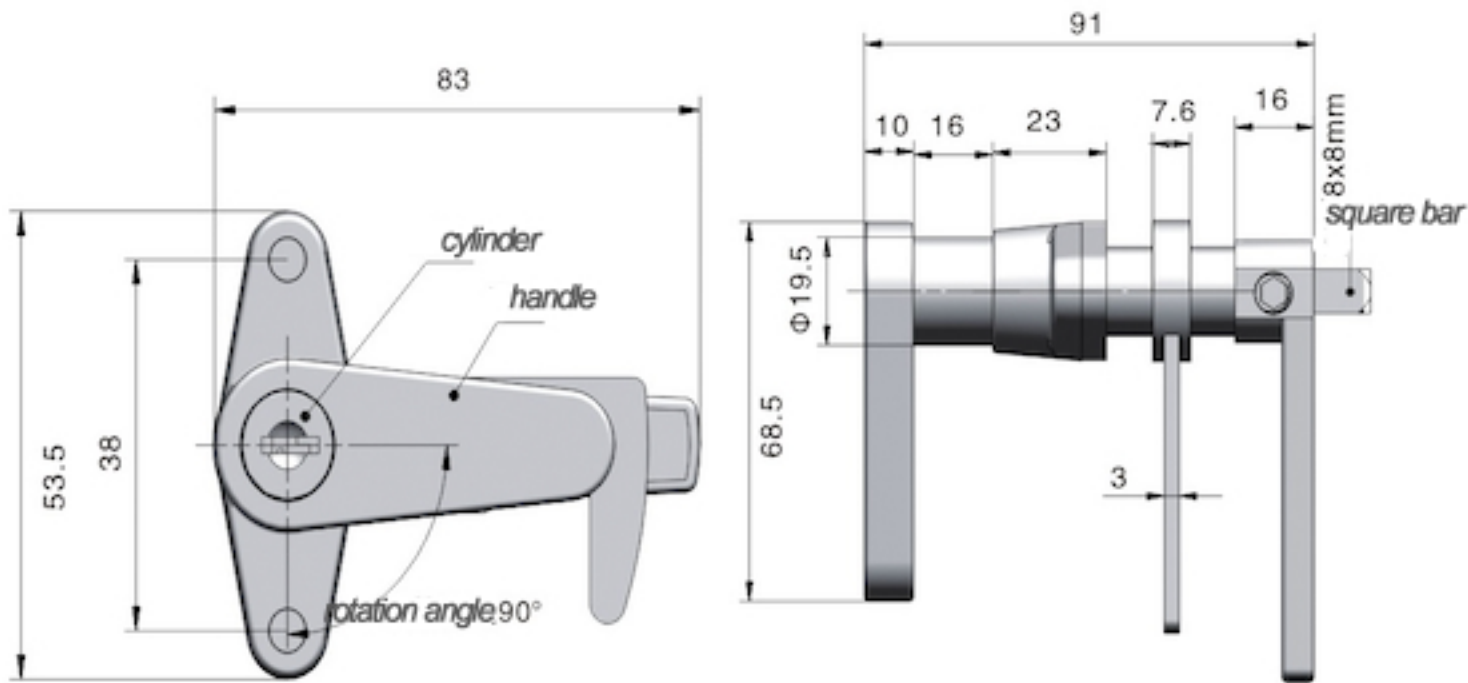


TECHNICAL DRAWING



Tower Industry
YOUR MANUFACTURING BASE IN CHINA

Sales@tower-machinery.com
www.tower-machinery.com

TW321
Handle Lock

MATERIA: ZDC base, handle, cylinder. cam, shaft.

SURFACE: Chrome plated cylinder, power coated handle base and cam. Zinc plated shaft.

REMARK: 90 degree turn achieve open and lock.