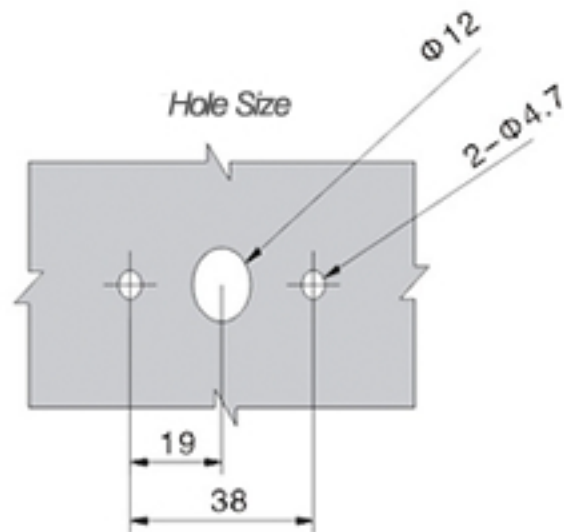
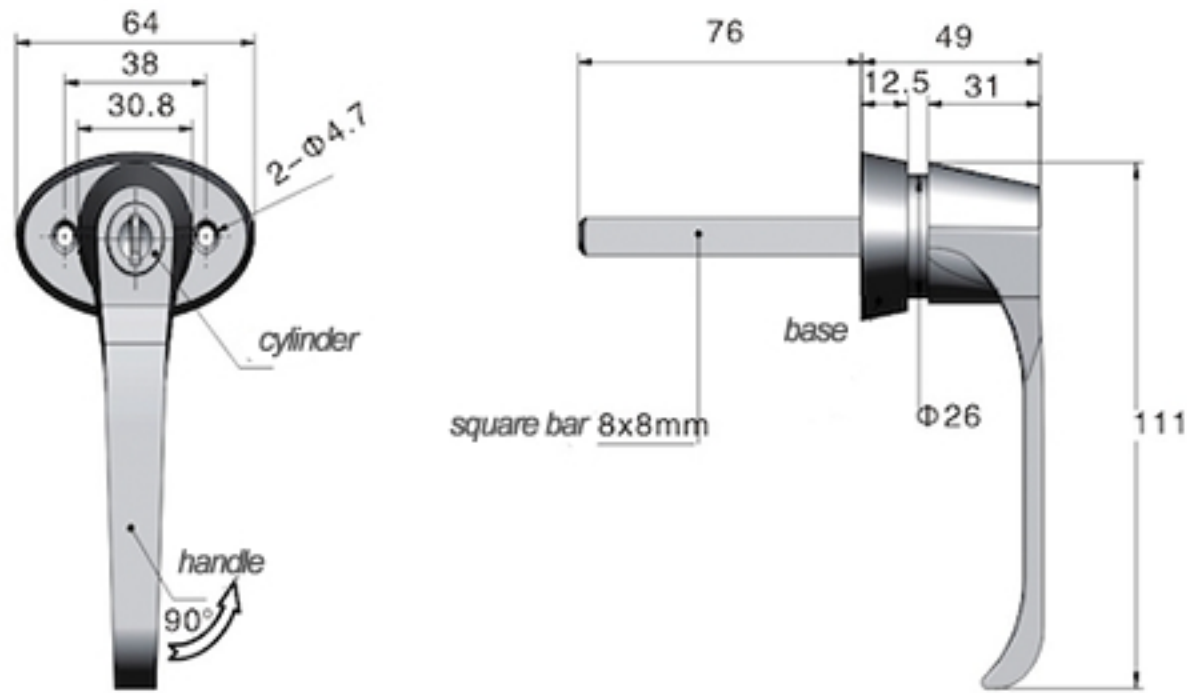


# TECHNICAL DRAWING



**Tower Industry**  
YOUR MANUFACTURING BASE IN CHINA

Sales@tower-machinery.com  
www.tower-machinery.com

TW318-2  
Handle Lock

**MATERIA:** ZDC base, handle, cylinder. Steel shaft.

**SURFACE:** Chrome plated cylinder, power coated handle and base. Zinc plated shaft.

**REMARK:** 90 degree turn achieve open and lock.