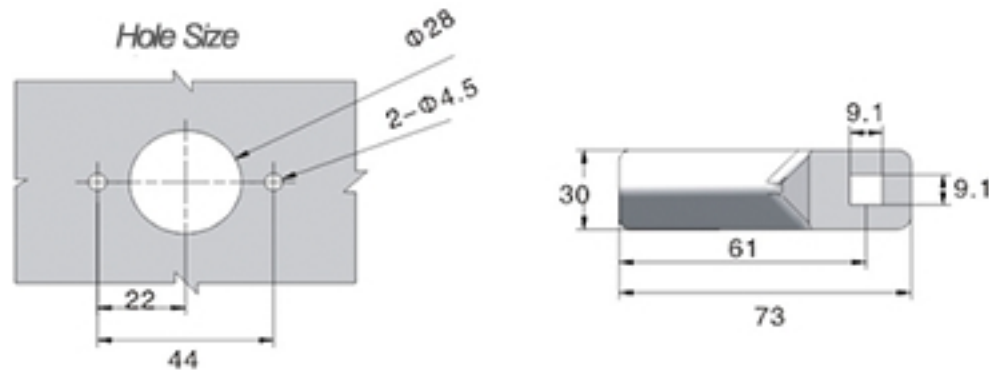
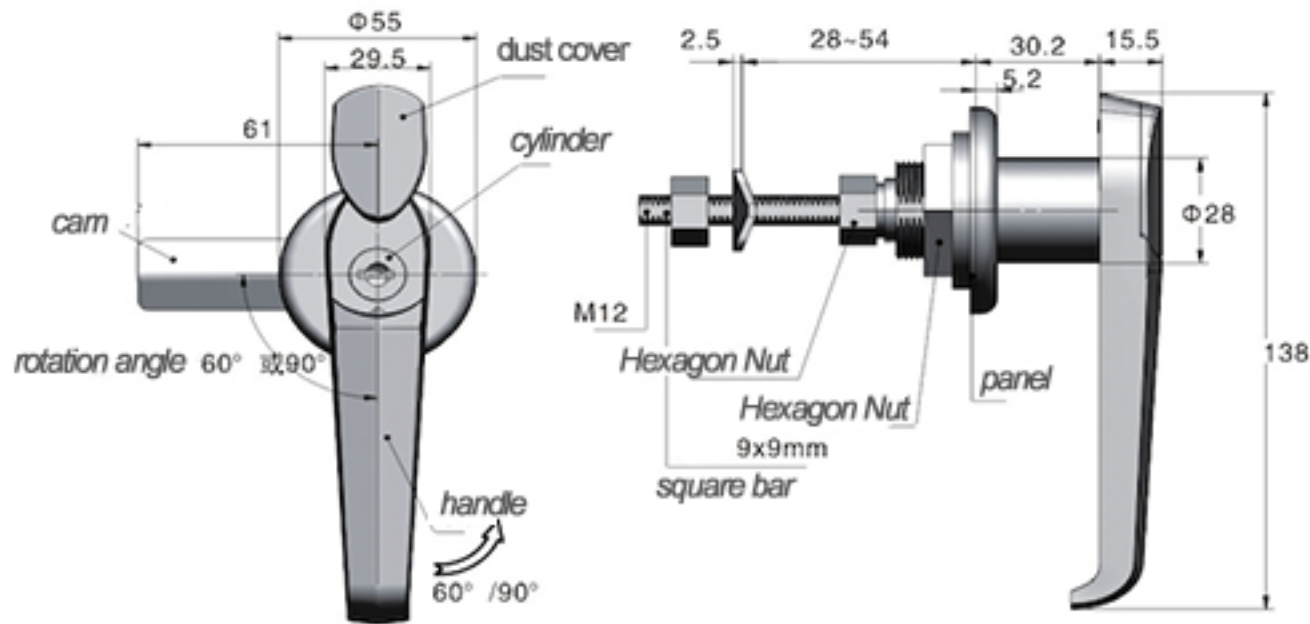


TECHNICAL DRAWING



TW317-B-1



TW317-B-2

Tower Industry
YOUR MANUFACTURING BASE IN CHINA

Sales@tower-machinery.com
www.tower-machinery.com

Handle Lock

MATERIA: ZDC base, handle, cylinder. Steel shaft, cam.

SURFACE: Chrome plated cylinder, handle and base.
Zinc plated shaft, cam.

REMARK: 60 degree or 90 degree turn achieve open and lock. RH/LH open.