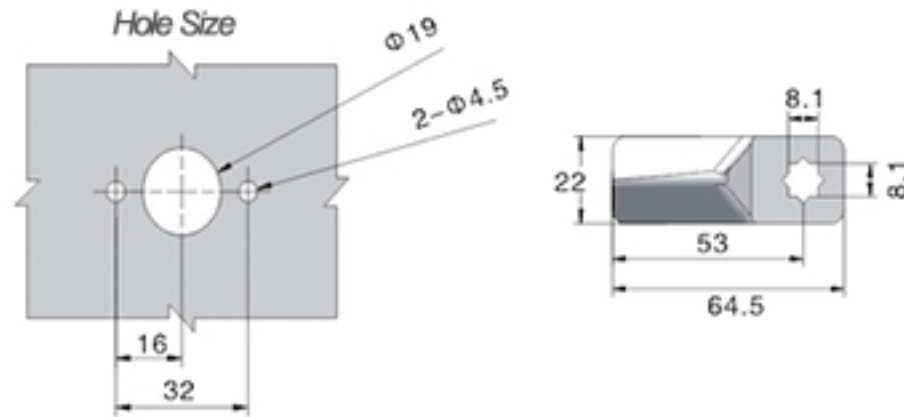
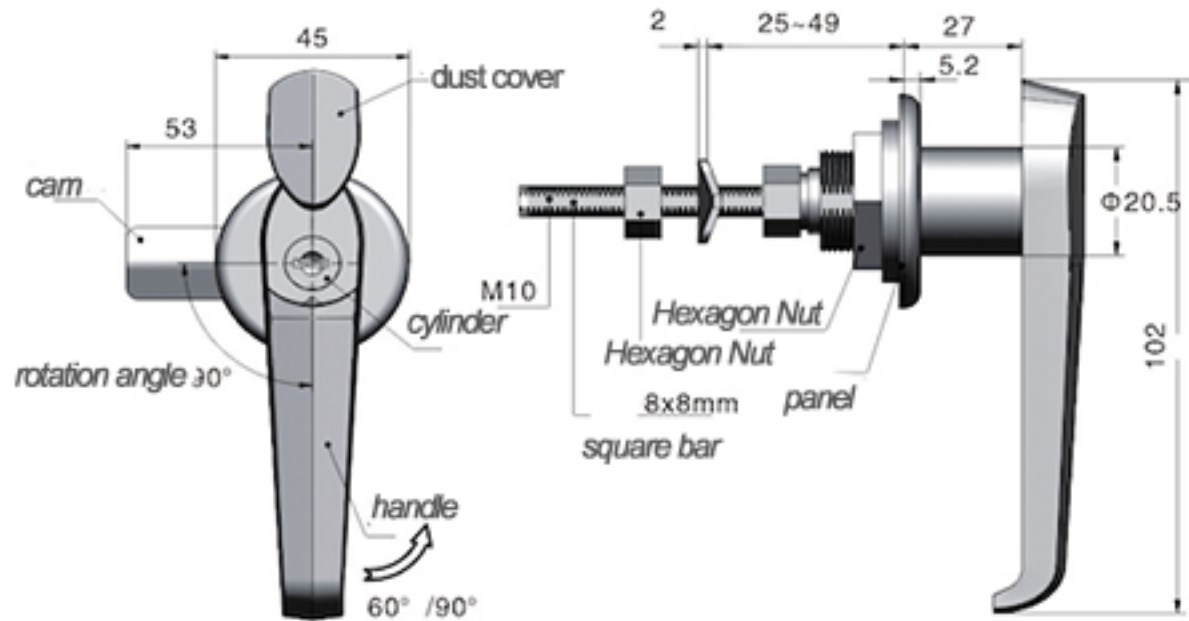


# TECHNICAL DRAWING



TW317-A-1



TW317-A-2

**Tower Industry**  
YOUR MANUFACTURING BASE IN CHINA

Sales@tower-machinery.com  
www.tower-machinery.com

Handle Lock

**MATERIA:** ZDC base, handle, cylinder. Steel shaft, cam.

**SURFACE:** Chrome plated cylinder, handle and base.  
Zinc plated shaft, cam.

**REMARK:** 60 degree or 90 degree turn achieve open and lock. RH/LH open.