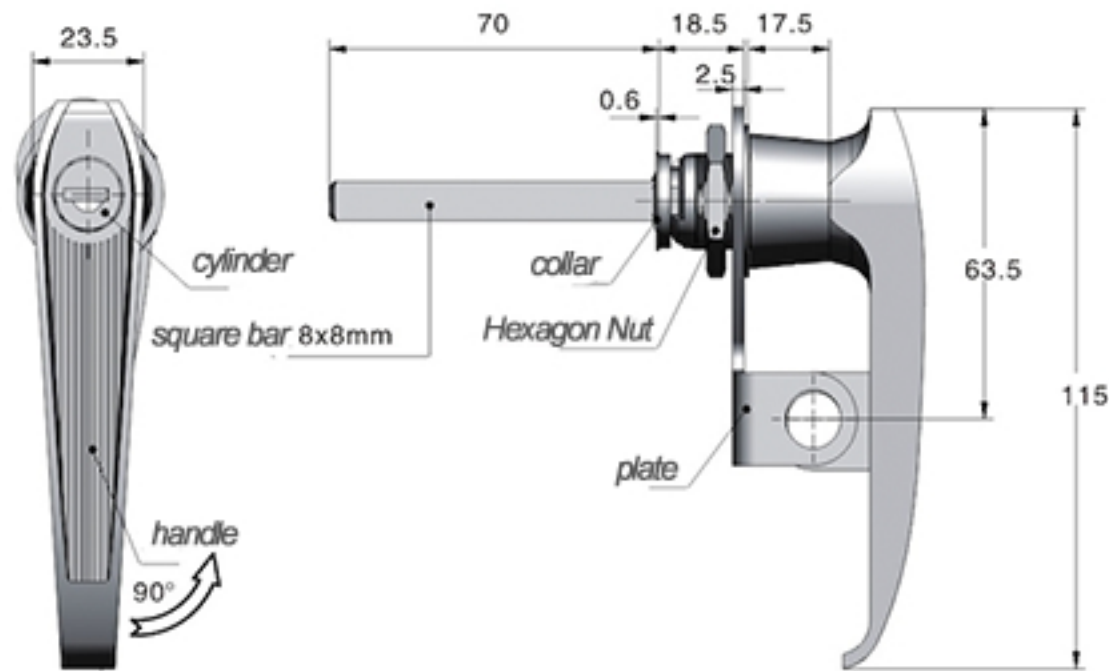
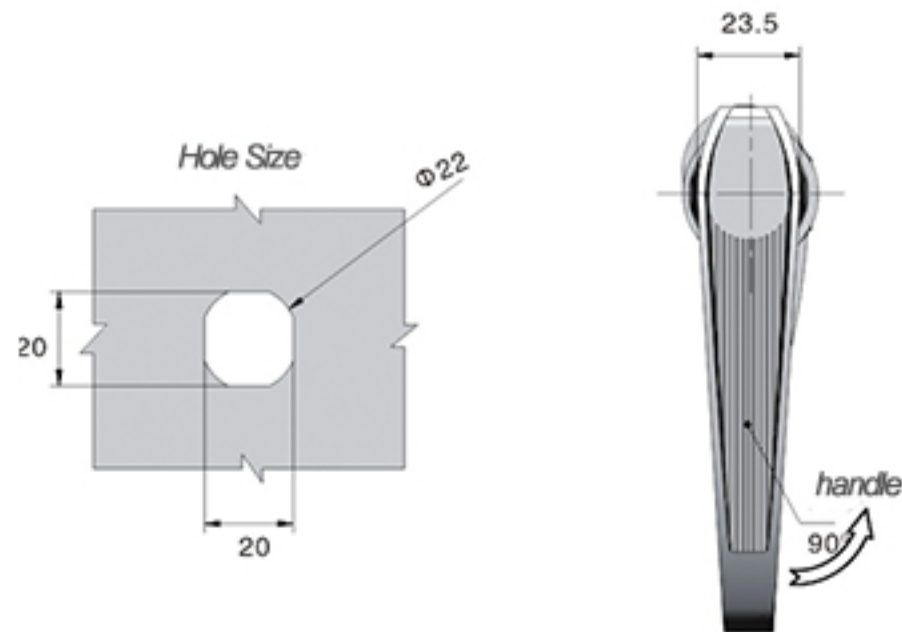


TECHNICAL DRAWING



TW315-D-1



TW315-D-2

Tower Industry
YOUR MANUFACTURING BASE IN CHINA

Sales@tower-machinery.com
www.tower-machinery.com

Handle Lock

MATERIAL: ZDC base, handle, cylinder. Steel shaft.

Stainless steel padlock hasp

SURFACE: Chrome plated cylinder, handle and base.

Zinc plated shaft. Thumbled padlock hasp.

REMARK: 90 degree turn achieve open and lock. RH/LH.