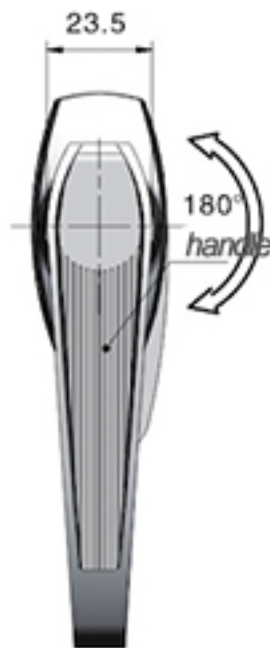
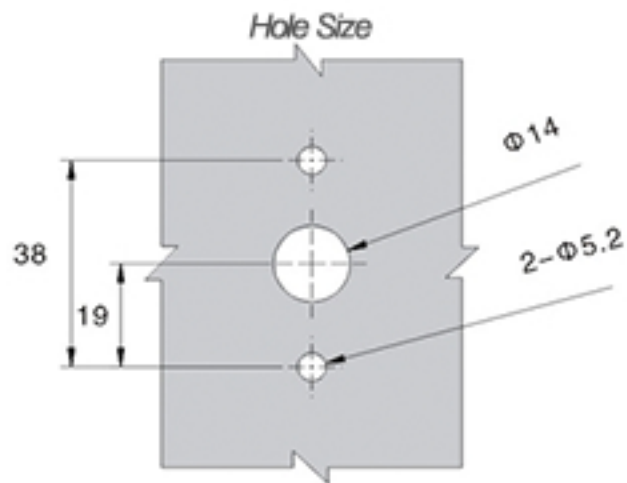
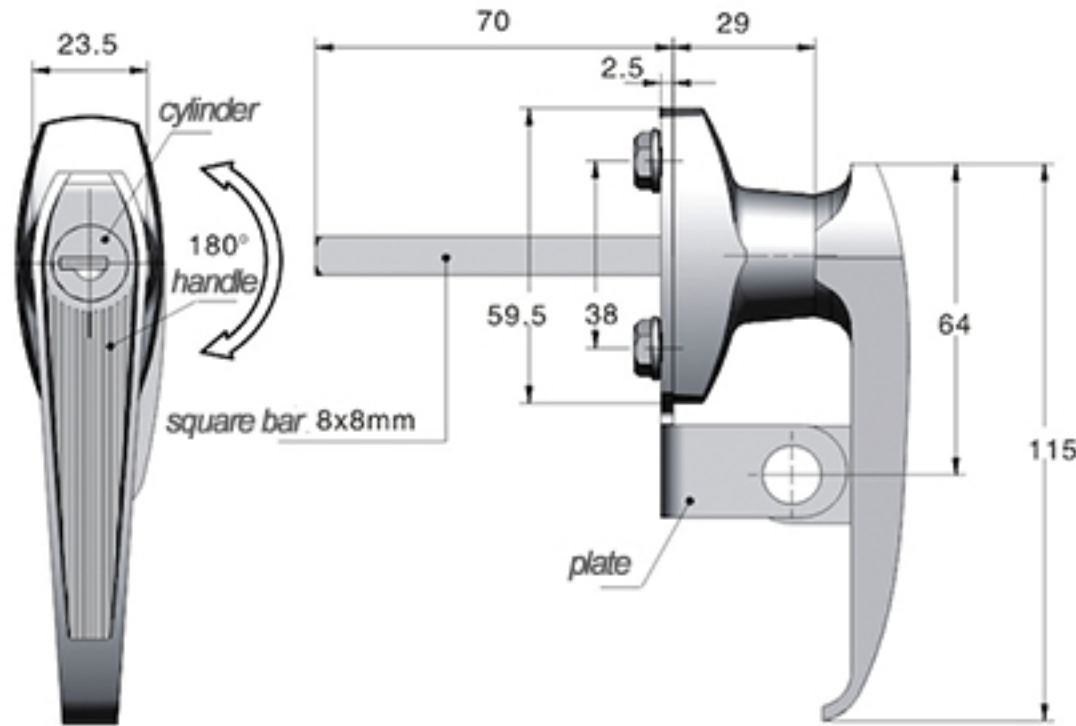


TECHNICAL DRAWING



Handle Lock



TW315-C-1



TW315-C-2

MATERIAL: ZDC base, handle, cylinder. Steel shaft.
Stainless steel padlock hasp

SURFACE: Chrome plated cylinder, handle and base.
Zinc plated shaft. Thumbled padlock hasp.

REMARK: 90 degree or 180 degree turn achieve open and lock. RH/LH open

Tower Industry
YOUR MANUFACTURING BASE IN CHINA

Sales@tower-machinery.com
www.tower-machinery.com