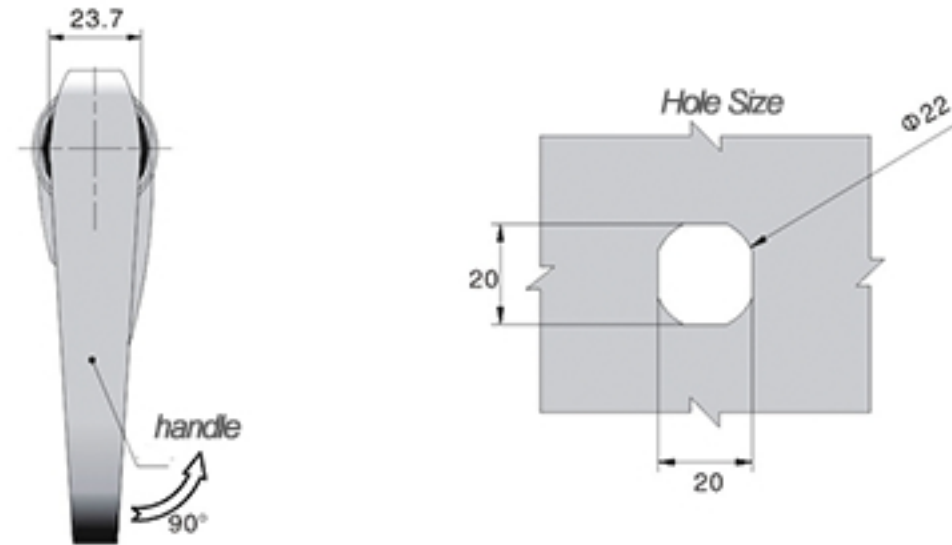
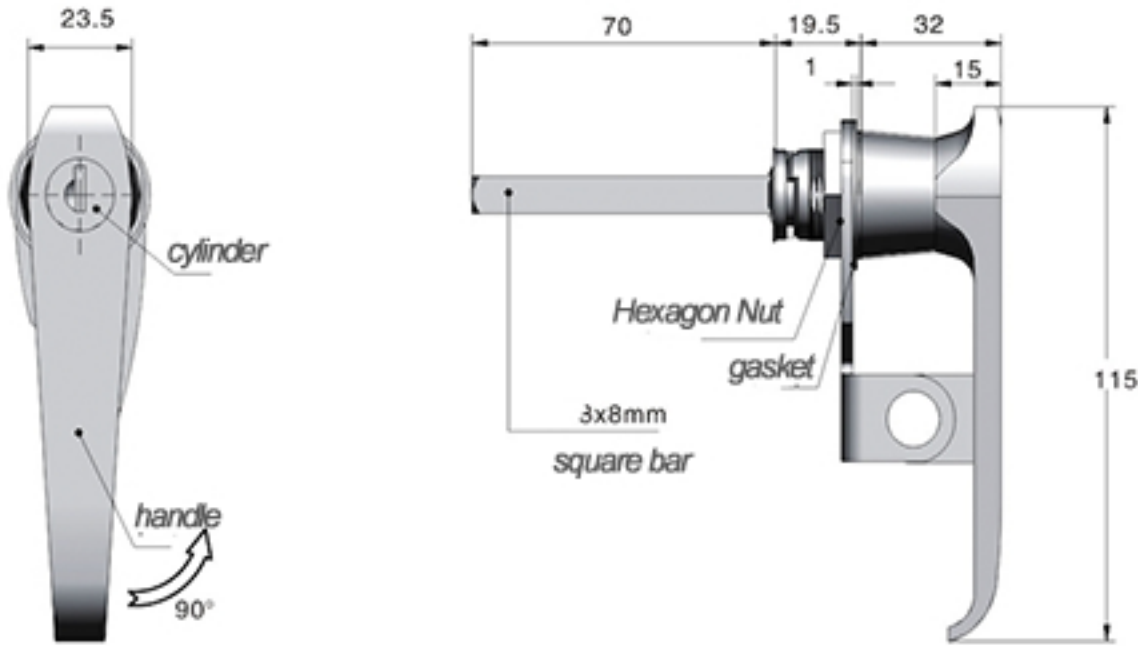


TECHNICAL DRAWING



TW312-D-1



TW312-D-2

Tower Industry
YOUR MANUFACTURING BASE IN CHINA

Sales@tower-machinery.com
www.tower-machinery.com

Handle Lock

MATERIAL: ZDC base, handle, cylinder. Steel shaft.
Stainless steel padlock hasp.
SURFACE: Chrome plated cylinder, handle and base.
Zinc plated shaft. Tumbled padlock hasp.
REMARK: 90 degree turn achieve open and lock.
RH/LH open.