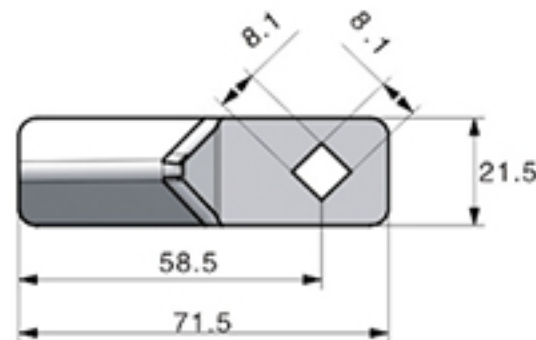
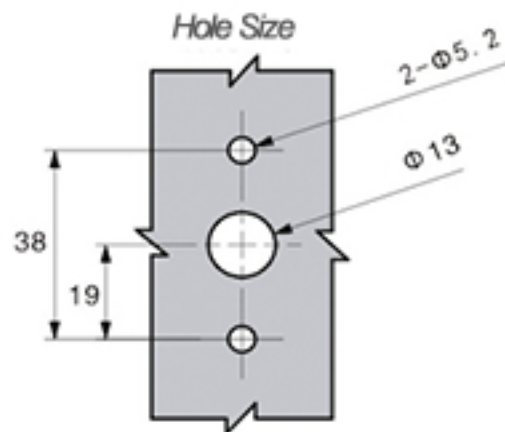
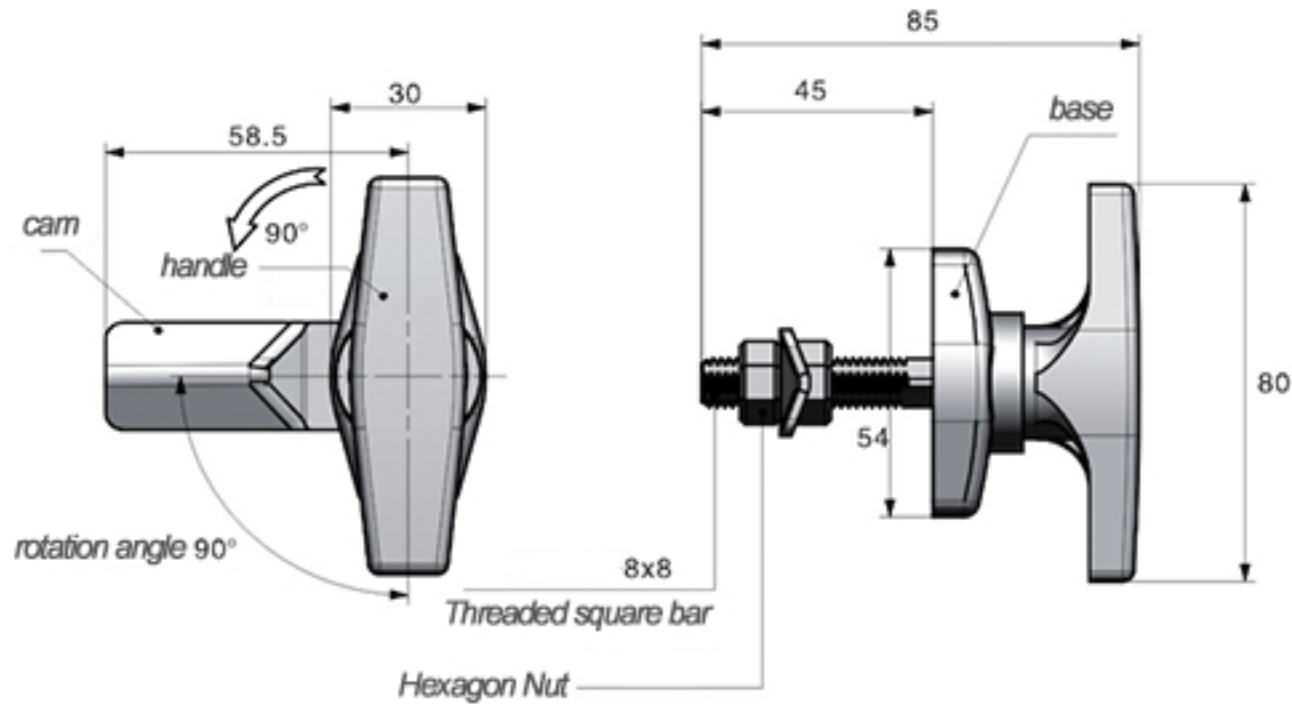


TECHNICAL DRAWING



Tower Industry
YOUR MANUFACTURING BASE IN CHINA

Sales@tower-machinery.com
www.tower-machinery.com

TW311-B

Handle Lock

MATERIAL: ZDC base, handle. Steel shaft, cam.

SURFACE: Power coated handle and base.

Zinc plated shaft, cam.

REMARK: 90 degree turn achieve open and lock