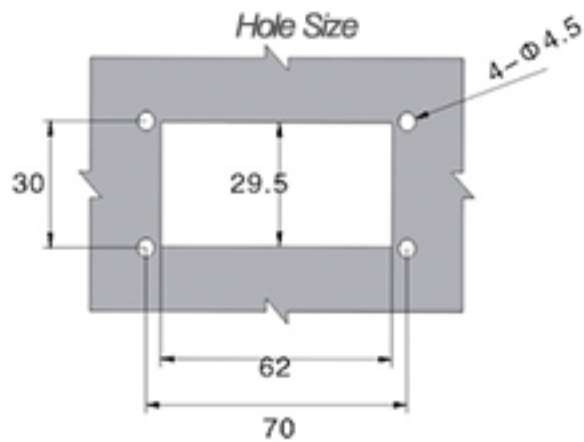
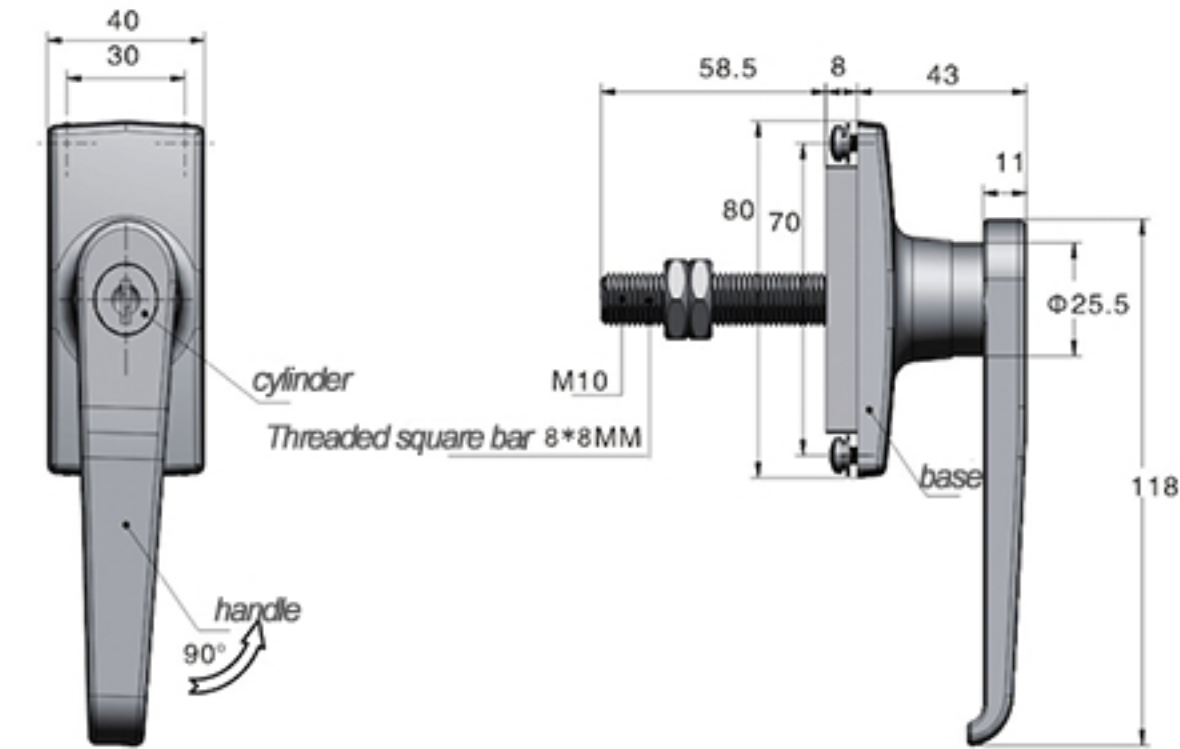


TECHNICAL DRAWING



TW305-B-1



TW305-B-2

Tower Industry

YOUR MANUFACTURING BASE IN CHINA

Sales@tower-machinery.com

www.tower-machinery.com

Handle Lock

MATERIAL: ZDC base, handle, cylinder. Steel shaft.

SURFACE: Chrome plated cylinder, handle and base.

Zinc plated shaft.

REMARK: 90 degree turn achieve open and lock