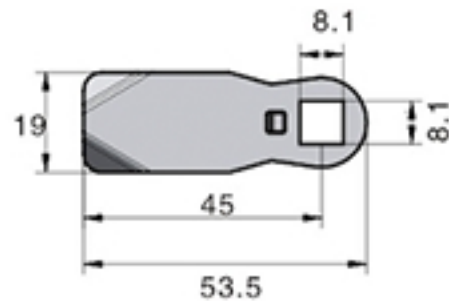
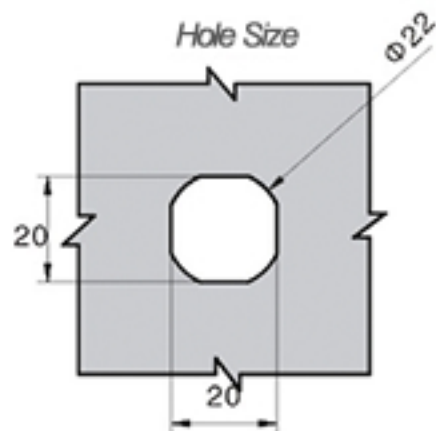
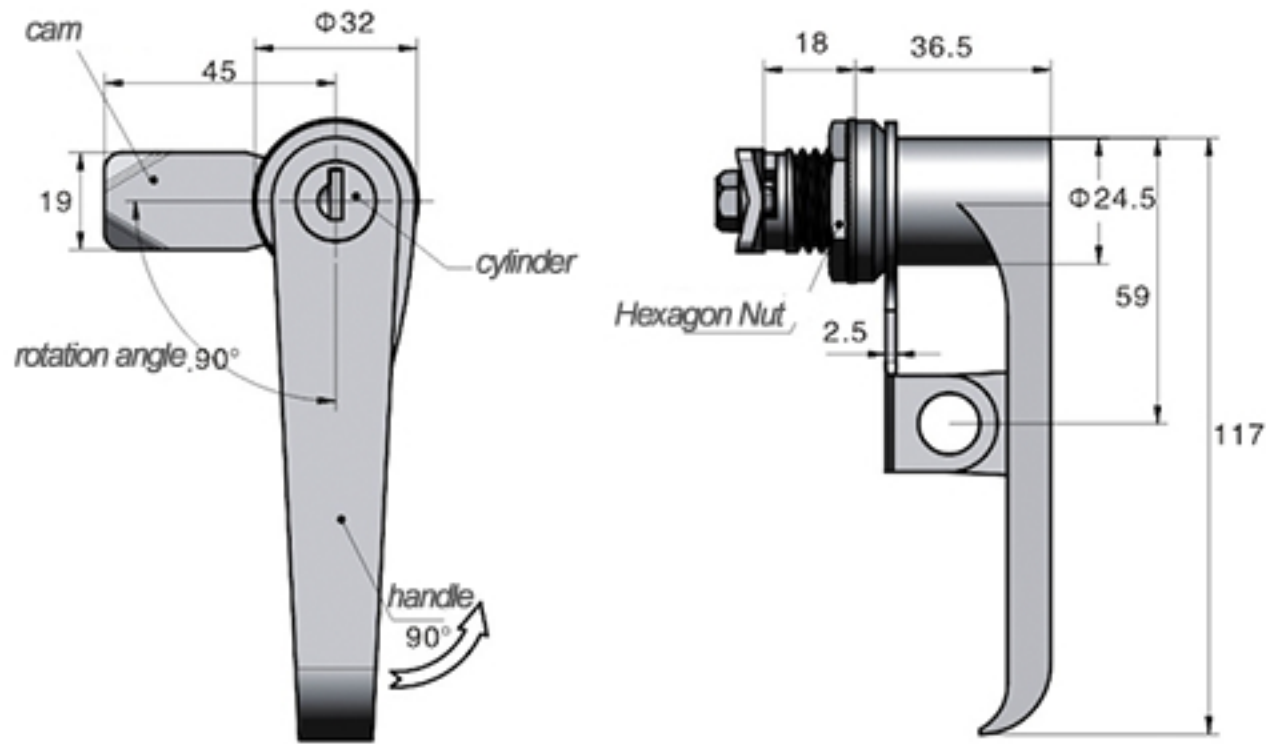


TECHNICAL DRAWING



TW304-B-1



TW304-B-2

MATERIAL: ZDC base, handle and steel cam.

Stainless steel padlock hasp.

SURFACE: Chrome plated base, handle and cylinder.

Zinc plated cam. Tumbled padlock hasp.

REMARK: 90 degree turn achieve open and lock

Tower Industry
YOUR MANUFACTURING BASE IN CHINA

Sales@tower-machinery.com
www.tower-machinery.com

Handle Lock