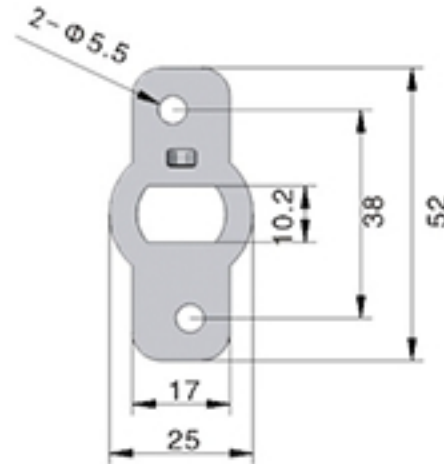
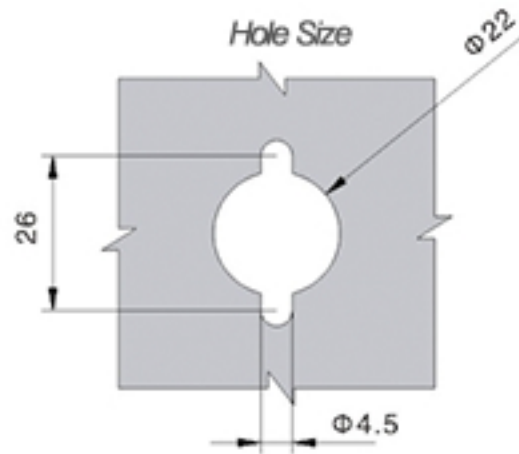
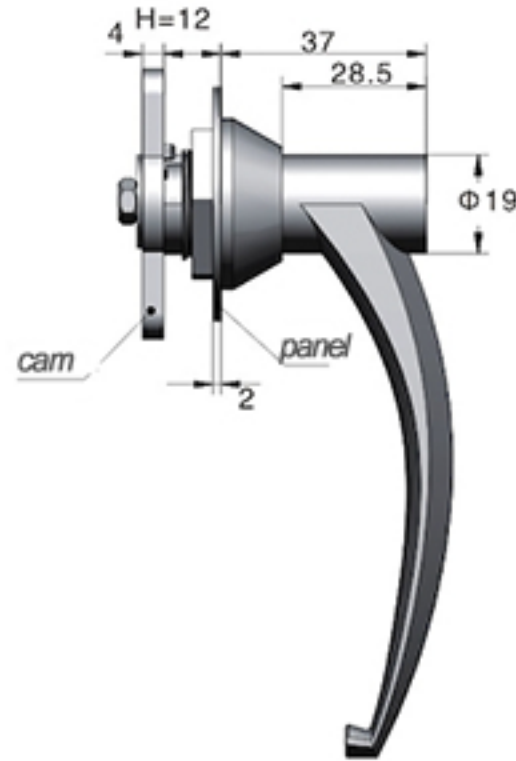
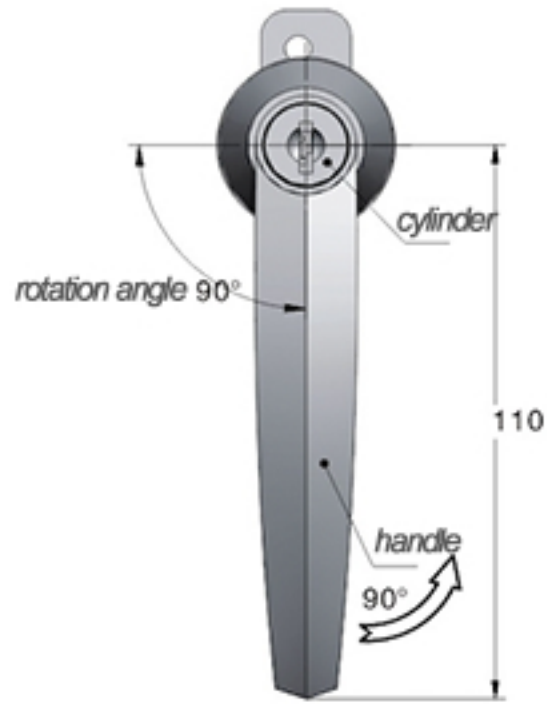


# TECHNICAL DRAWING



TW303-A-1



TW303-A-2

**Tower Industry**  
YOUR MANUFACTURING BASE IN CHINA

Sales@tower-machinery.com  
www.tower-machinery.com

Handle Lock

**MATERIAL:** ZDC base, handle and cylinder. Steel cam.

**SURFACE:** Chrome plated base, handle and cylinder.  
Zinc plated cam.

**REMARK:** 90 degree turn achieve open and lock