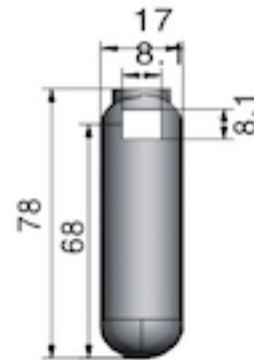
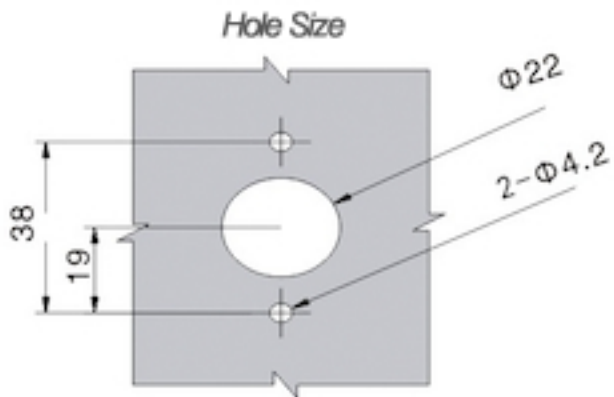
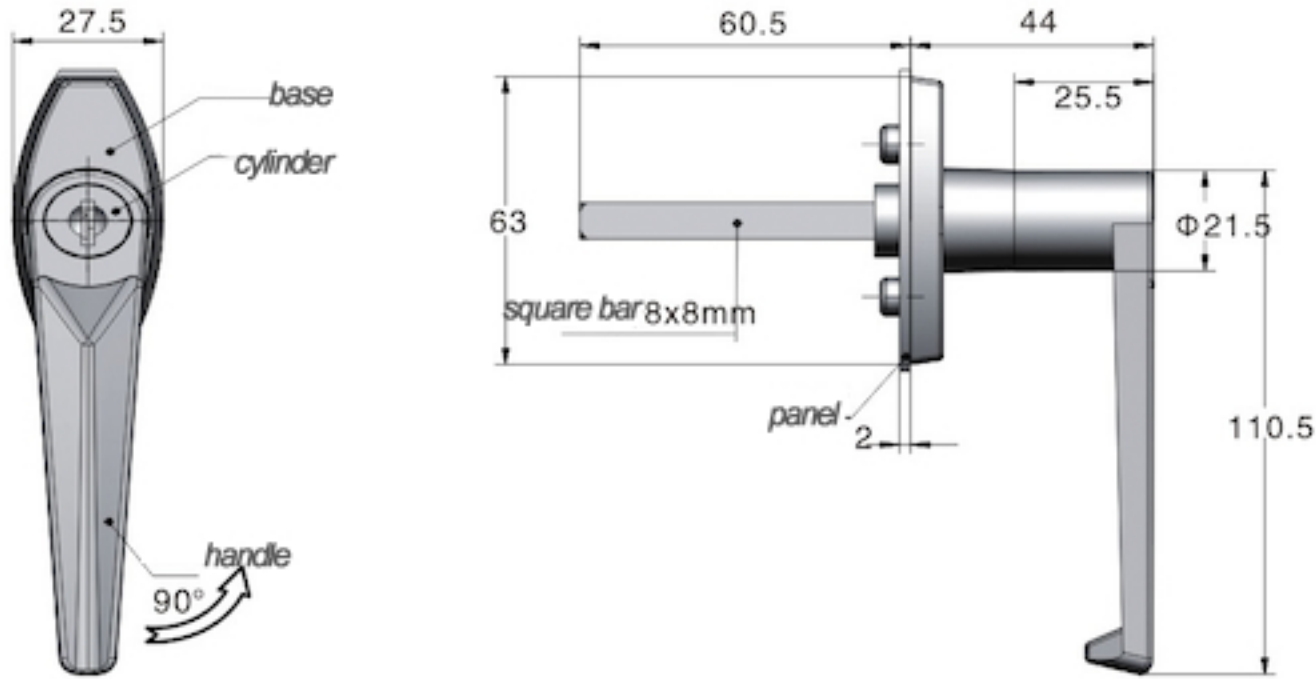


TECHNICAL DRAWING



TW302-1



TW302-2

Tower Industry
YOUR MANUFACTURING BASE IN CHINA

Sales@tower-machinery.com
www.tower-machinery.com

Handle Lock

MATERIAL: ZDC base, handle, cylinder. Steel shaft.

SURFACE: Chrome plated cylinder, power coated handle and base. cam. Zinc plated shaft.

REMARK: 90 degree turn achieve open and lock