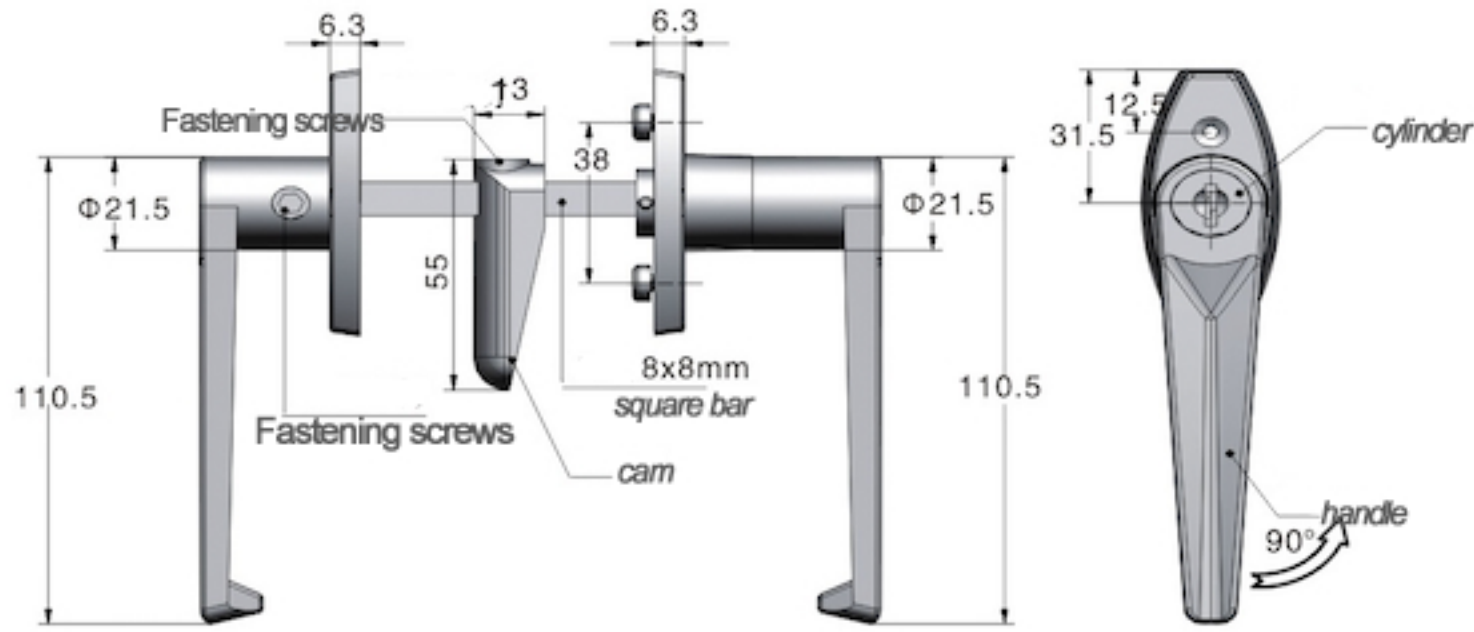
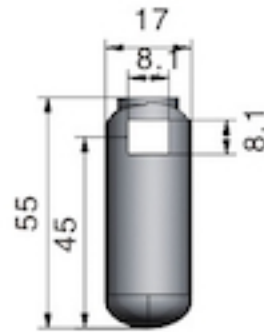
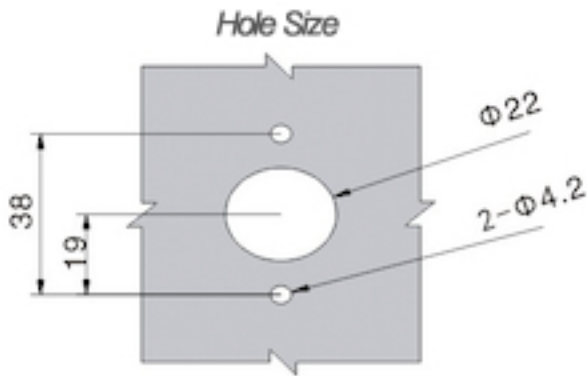


# TECHNICAL DRAWING



TW302



TW302-II

**Tower Industry**  
YOUR MANUFACTURING BASE IN CHINA

Sales@tower-machinery.com  
www.tower-machinery.com

Handle Lock

**MATERIAL:** ZDC base, handle, cylinder and cam.  
Steel shaft

**SURFACE:** Chrome plated cylinder, power coated handle,  
base and cam. Zinc plated shaft.

**REMARK:** 90 degree turn achieve open and lock