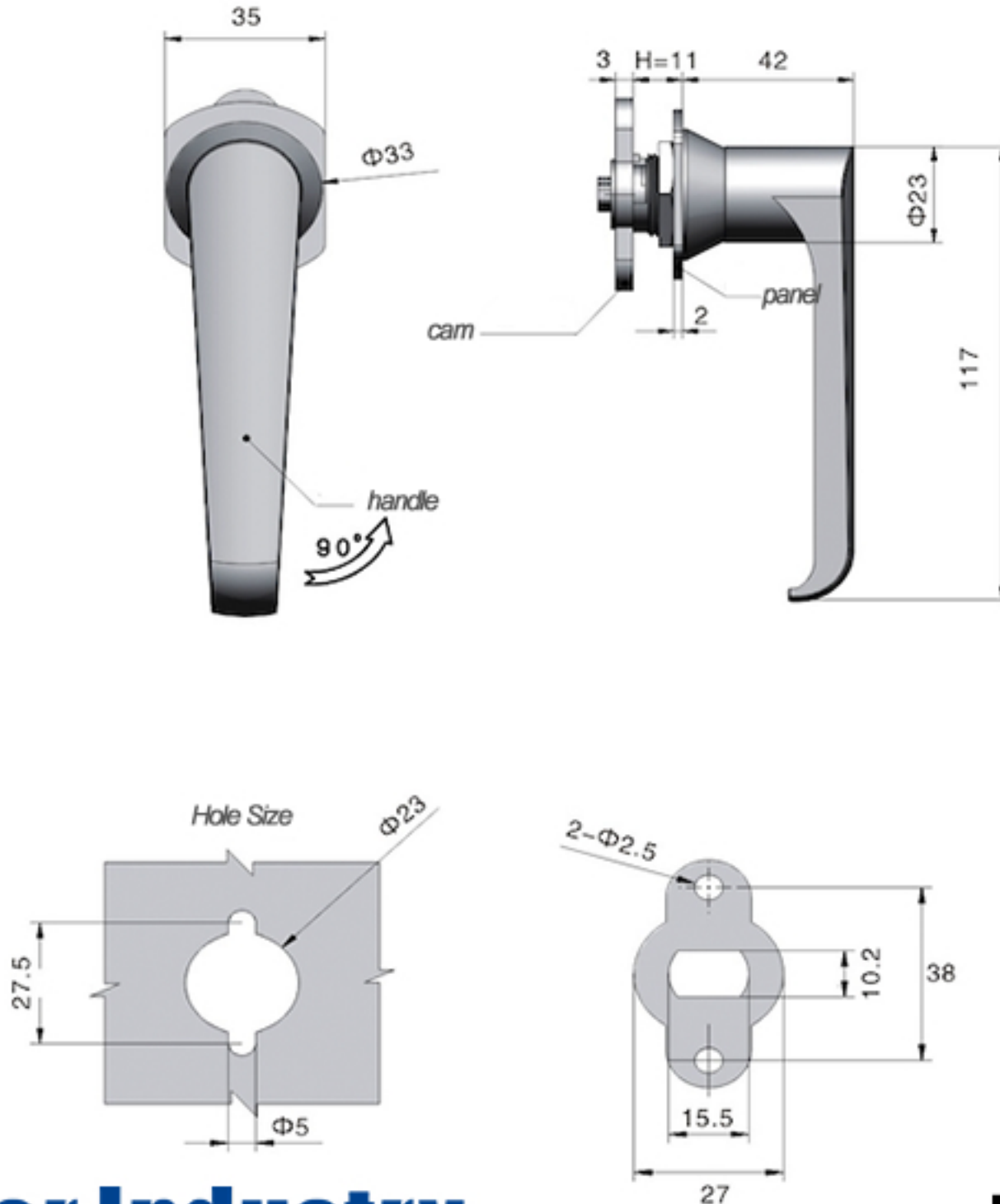


TECHNICAL DRAWING



Tower Industry
YOUR MANUFACTURING BASE IN CHINA

Sales@tower-machinery.com
www.tower-machinery.com

TW301-3
Handle Lock

MATERIAL: ZDC base, handle. Steel cam

SURFACE: Chrome plated base, handle, zinc plated cam

REMARK: 90 degree turn achieve open and lock