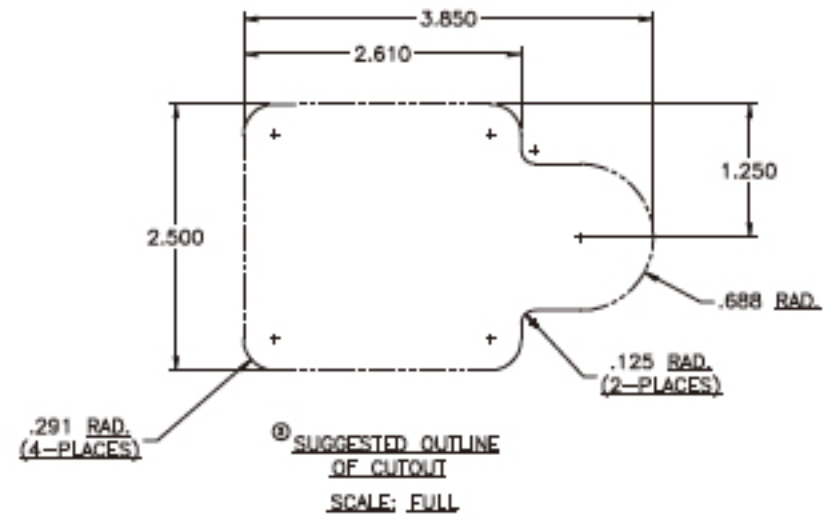
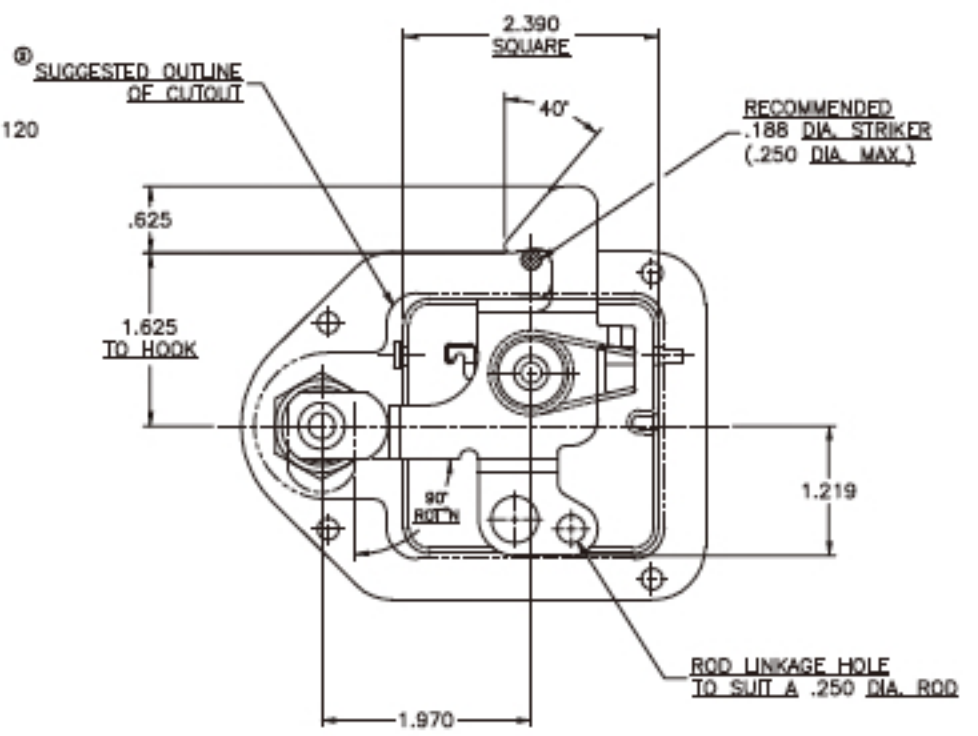
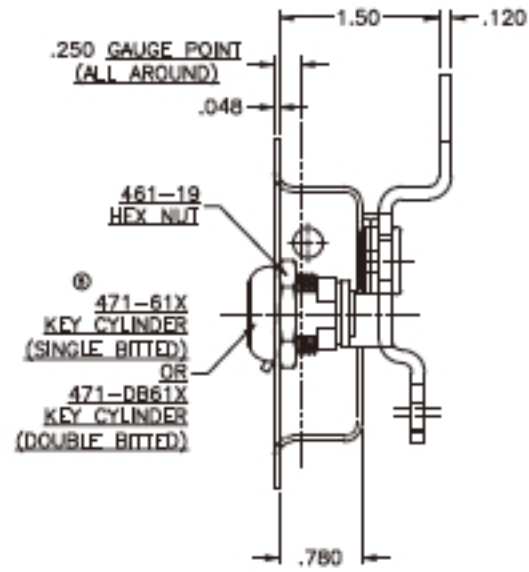
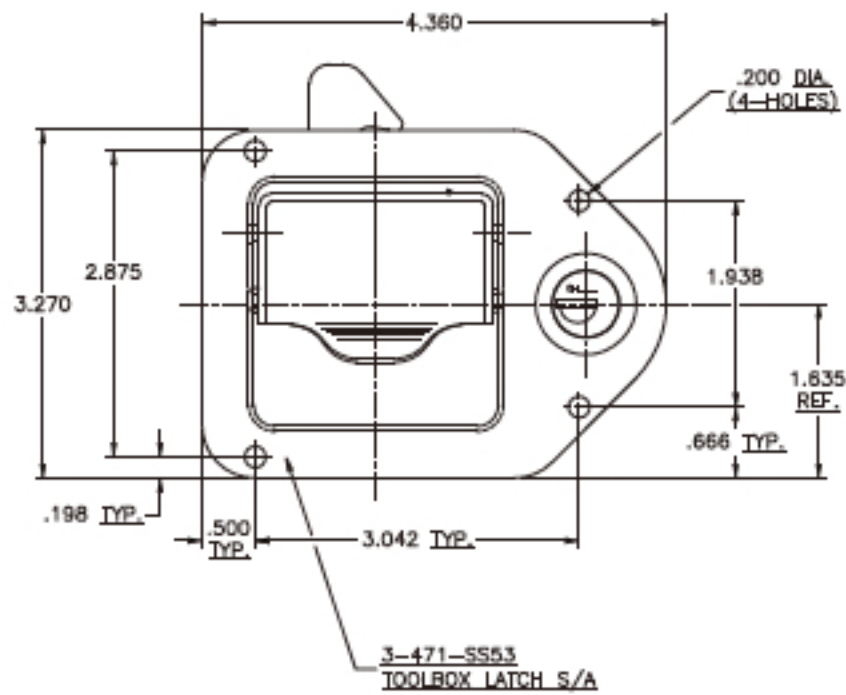


# TECHNICAL DRAWING



**Tower Industry**  
YOUR MANUFACTURING BASE IN CHINA

Sales@tower-machinery.com  
www.tower-machinery.com

TW-LP310  
TW-LP310SS

Paddle Lock

DIMENSIONS:

MATERIAL: Steel / stainless steel

FINISH: Zinc / polished