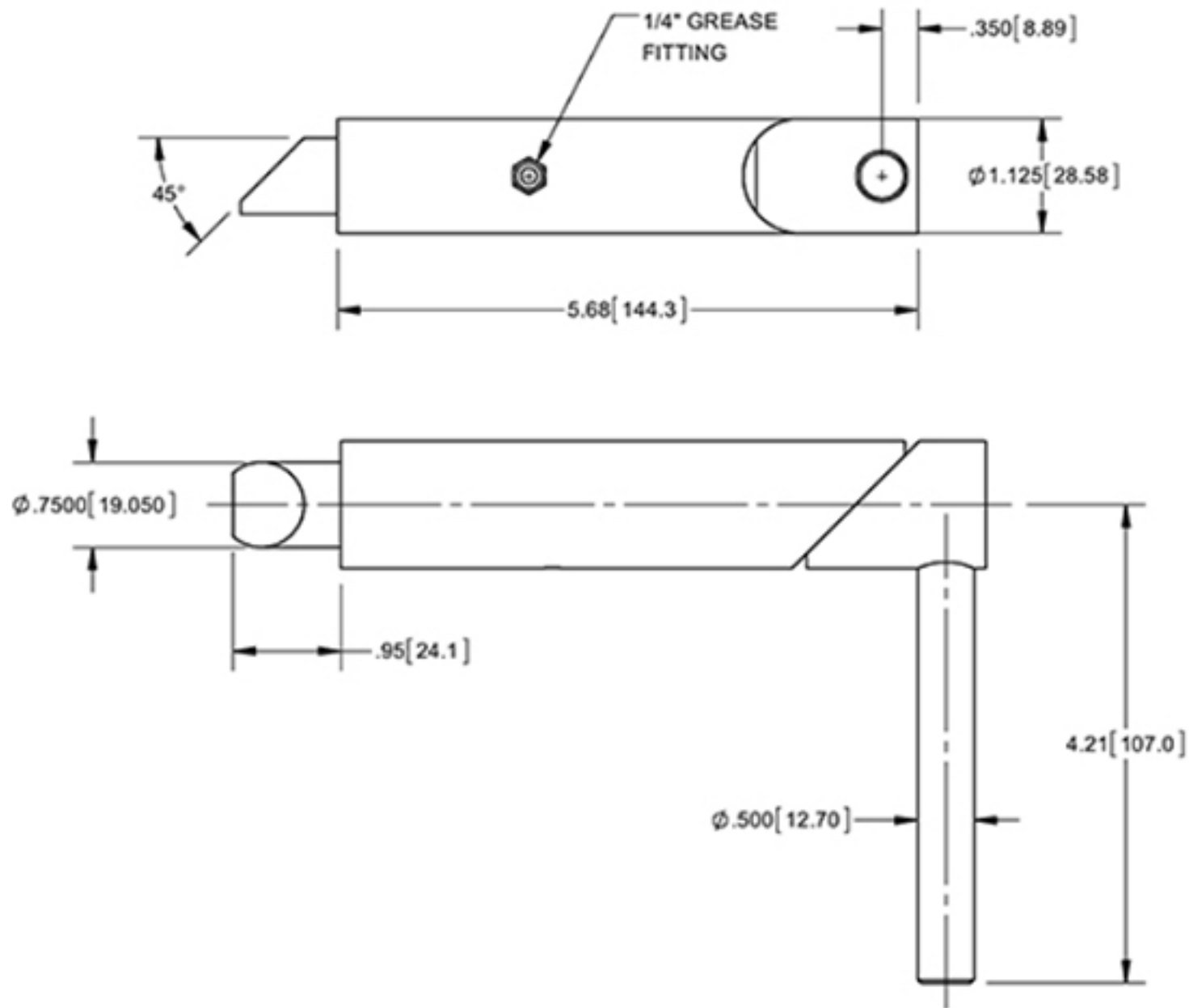
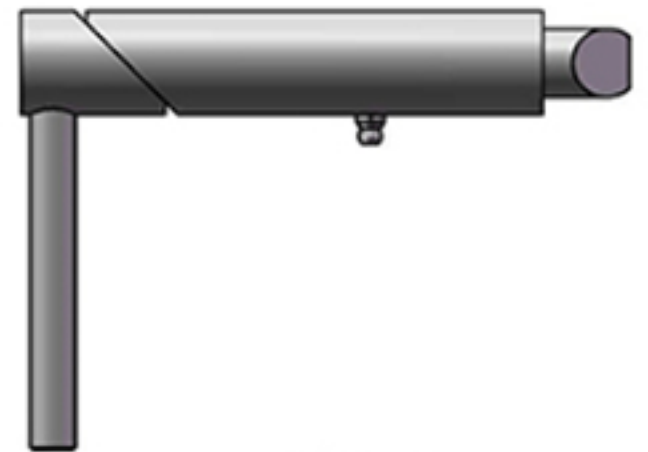


TECHNICAL DRAWING



RIGHT HAND



LEFT HAND

Tower Industry
YOUR MANUFACTURING BASE IN CHINA

Sales@tower-machinery.com
www.tower-machinery.com

TW-GL-002

Slam Action Gate Latch

DIMENSIONS: 6-5/8" x 4-5/8"

MATERIAL: Steel

FINISH: No