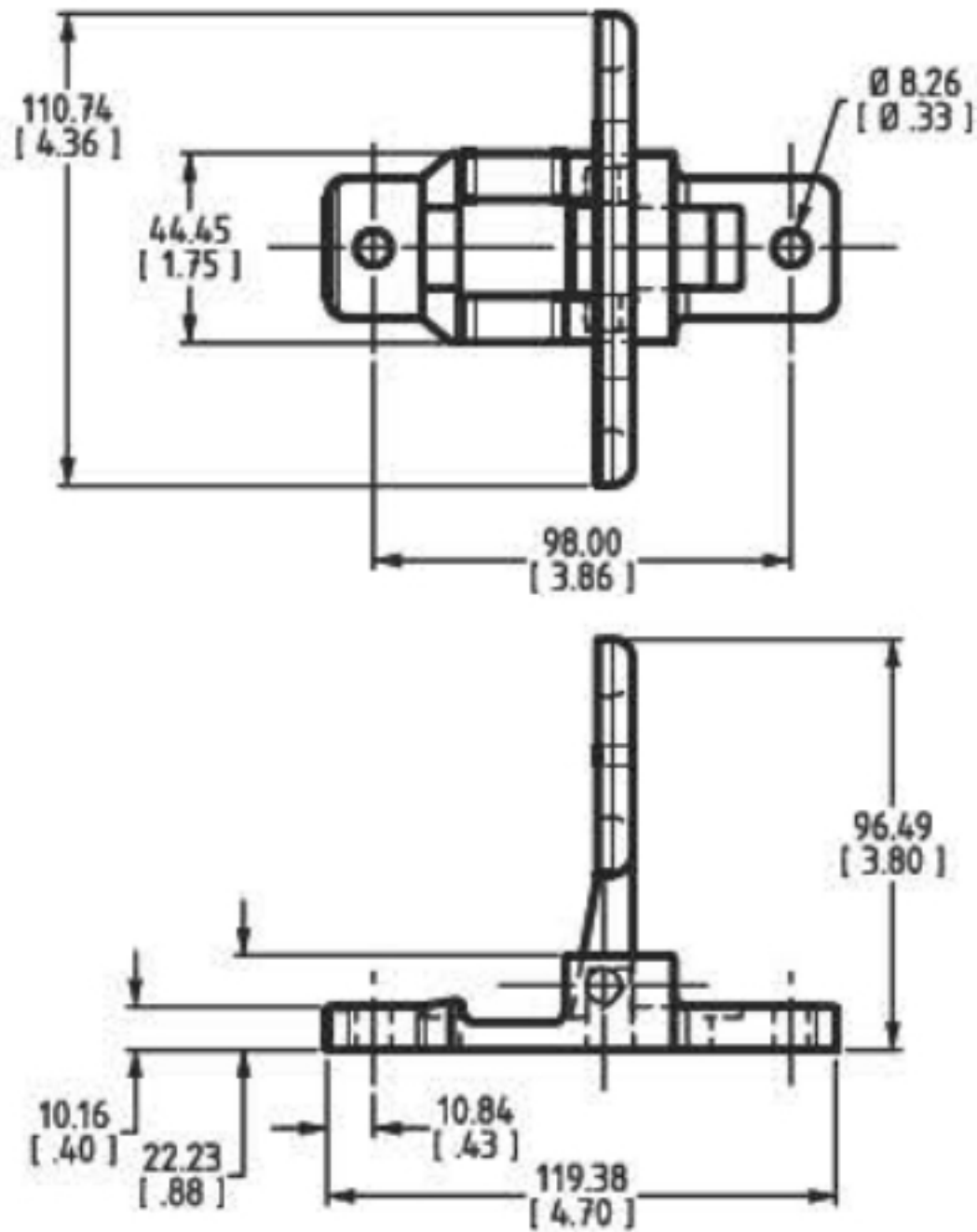


TECHNICAL DRAWING



Tower Industry
YOUR MANUFACTURING BASE IN CHINA

Sales@tower-machinery.com
www.tower-machinery.com

TWFS104S

Folding Foot Step

DIMENSIONS: 110mm x 55mm

MATERIAL: Stainless steel

FINISH: Polished