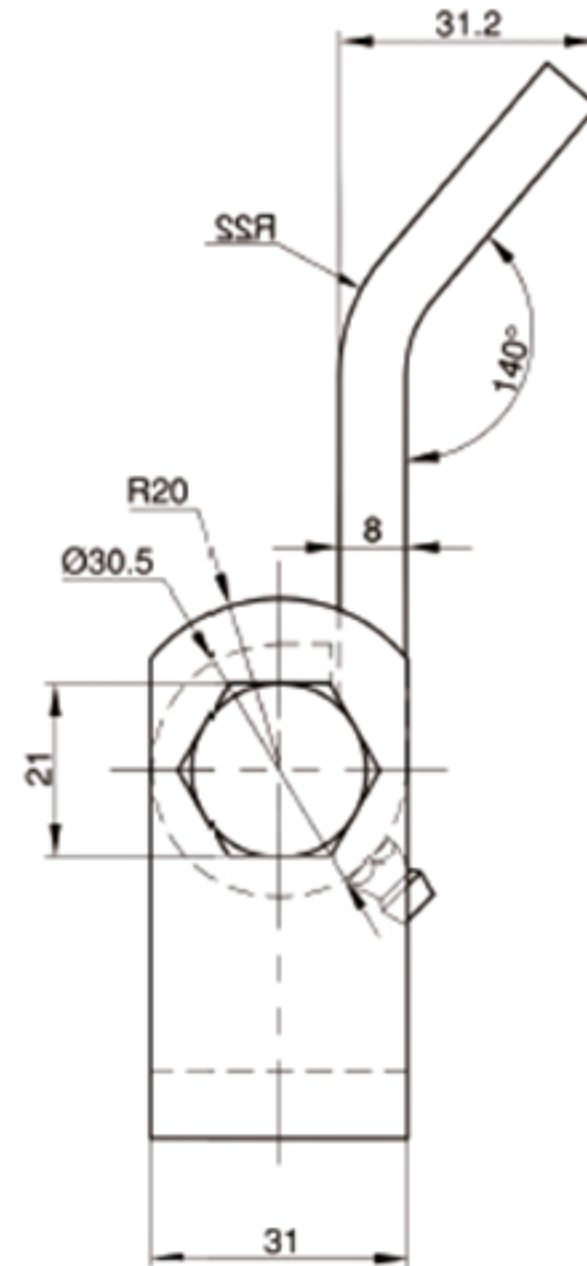
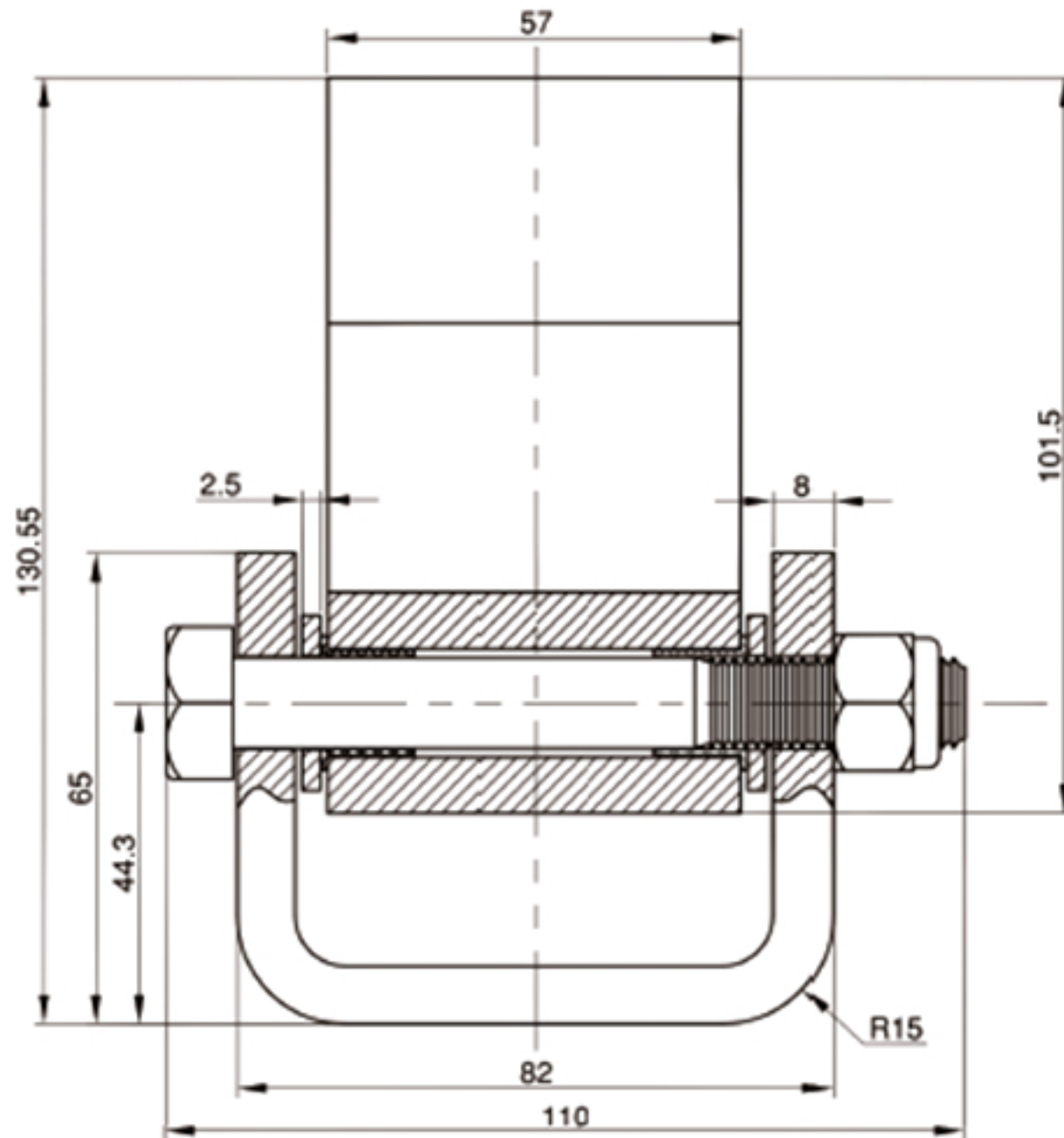


TECHNICAL DRAWING



Tower Industry
YOUR MANUFACTURING BASE IN CHINA

Sales@tower-machinery.com
www.tower-machinery.com

TW-TDH101

Dump Hinge

DIMENSIONS: 5"

MATERIAL: Steel

FINISH: No