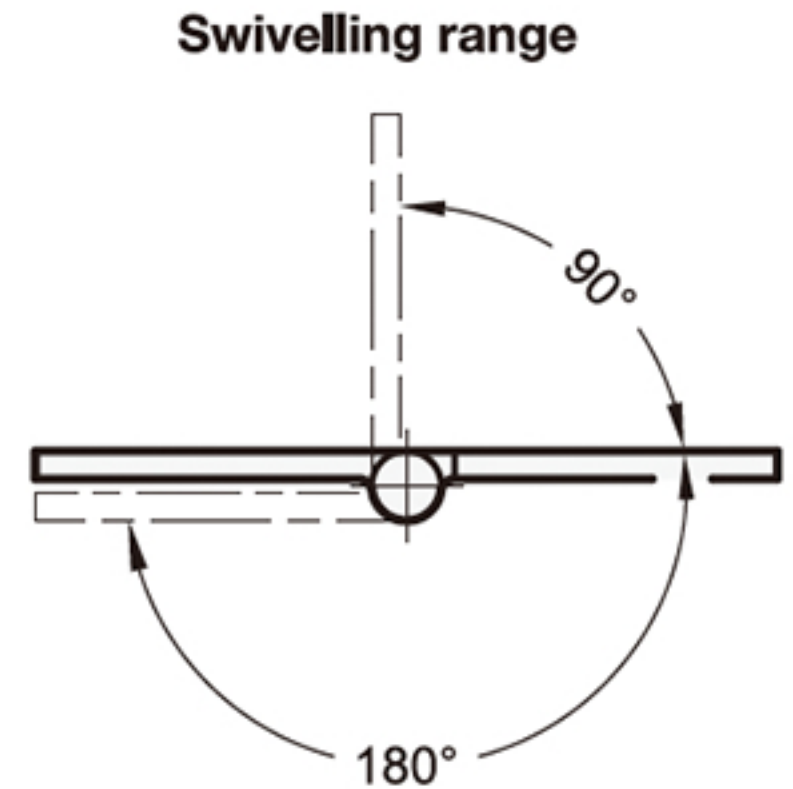
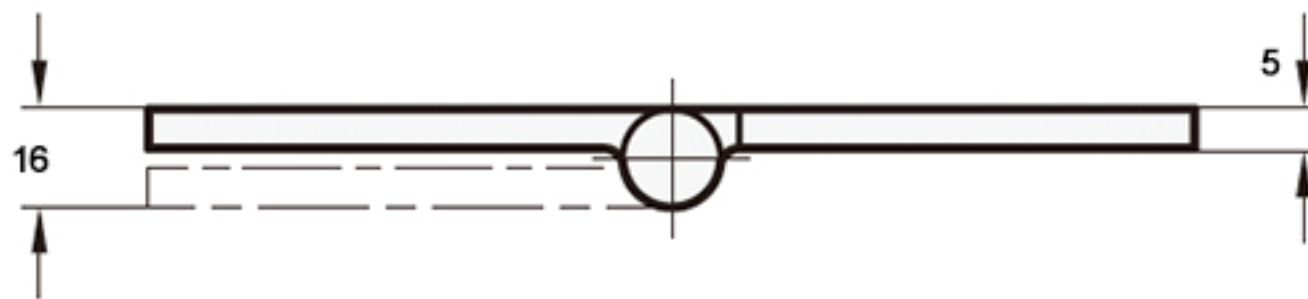
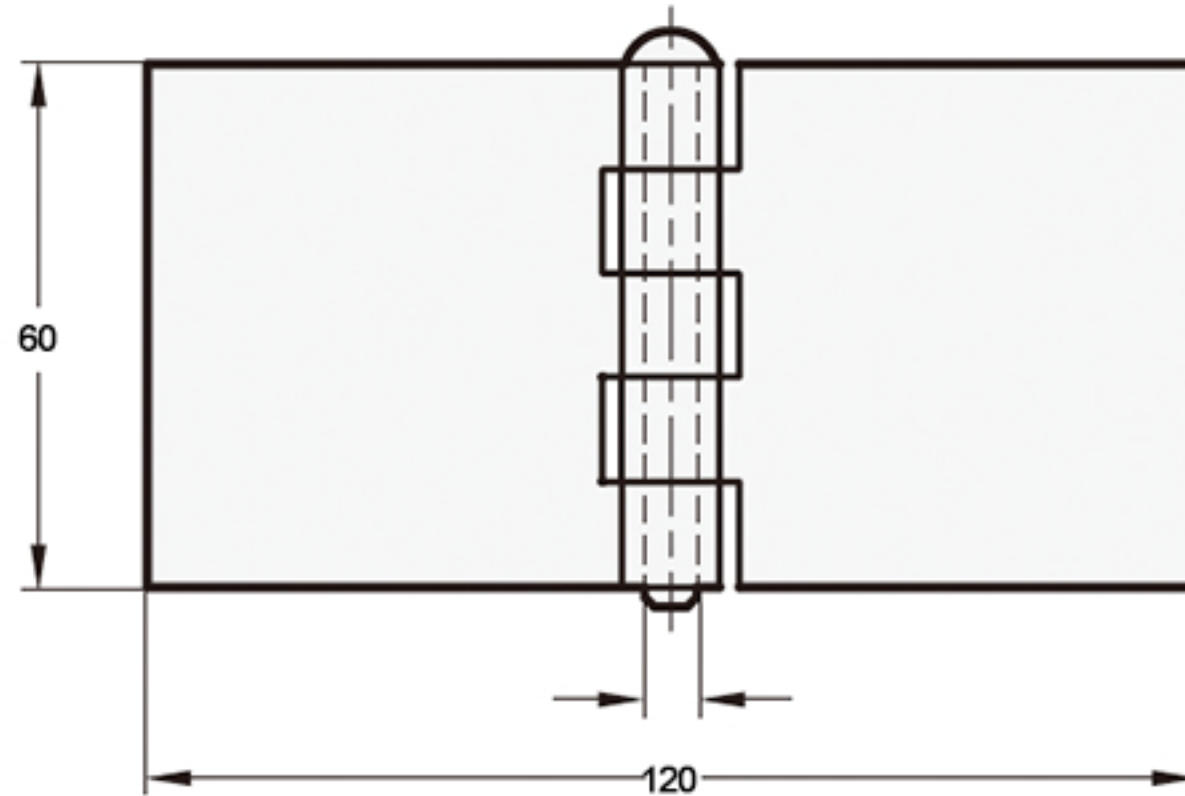


TECHNICAL DRAWING



Tower Industry
YOUR MANUFACTURING BASE IN CHINA

Sales@tower-machinery.com
www.tower-machinery.com

TW-BH1366

Butt Hinge

DIMENSIONS: 120mm x 60mm

MATERIAL: Steel

FINISH: No