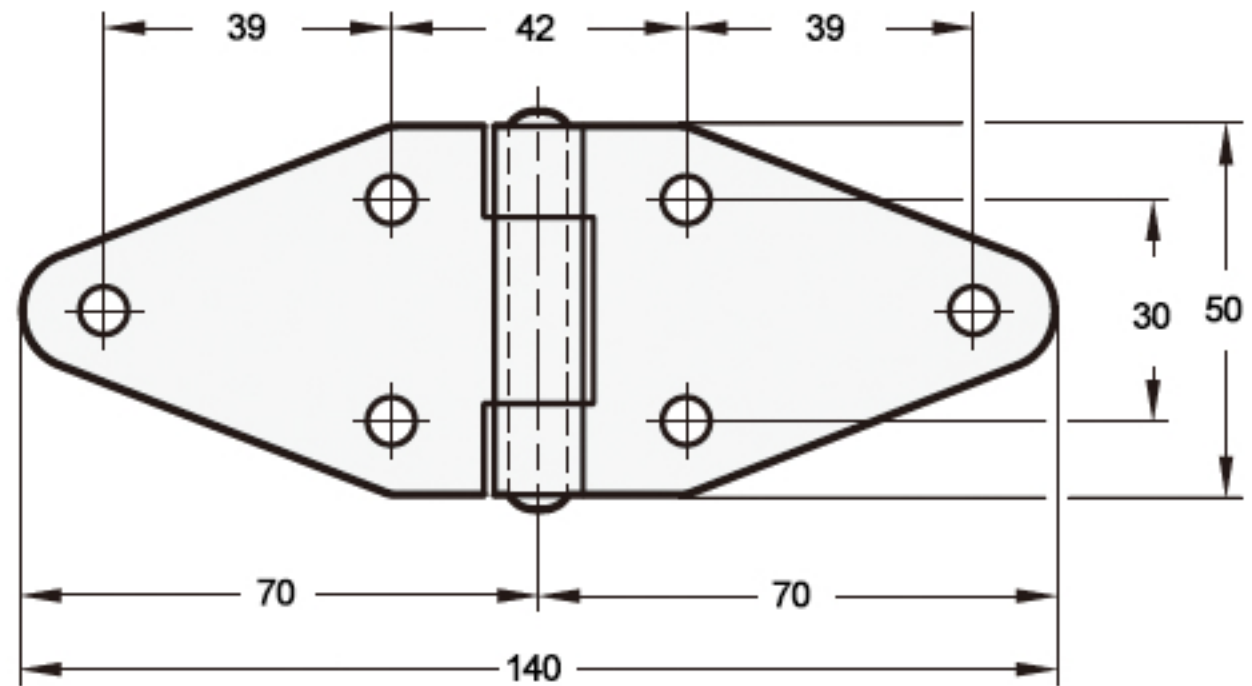
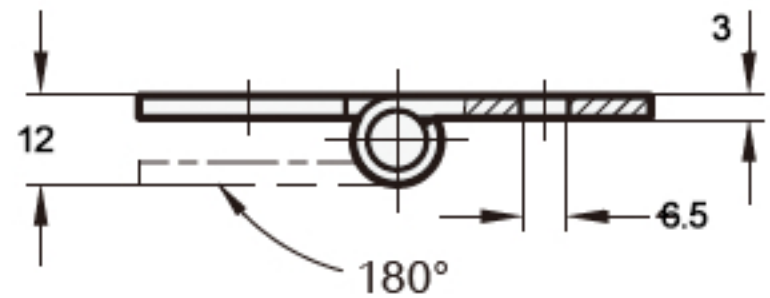


TECHNICAL DRAWING



Tower Industry
YOUR MANUFACTURING BASE IN CHINA

Sales@tower-machinery.com
www.tower-machinery.com

TW-BH1364

Butt Hinge

DIMENSIONS: 140mm x 50mm

MATERIAL: Stainless Steel

FINISH: No