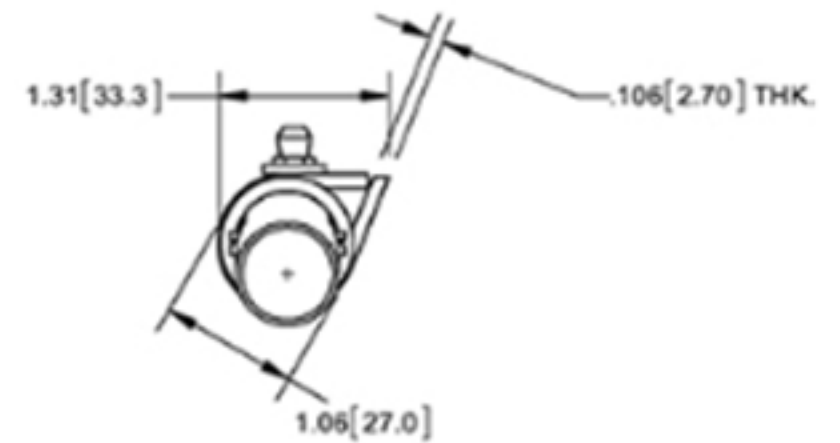
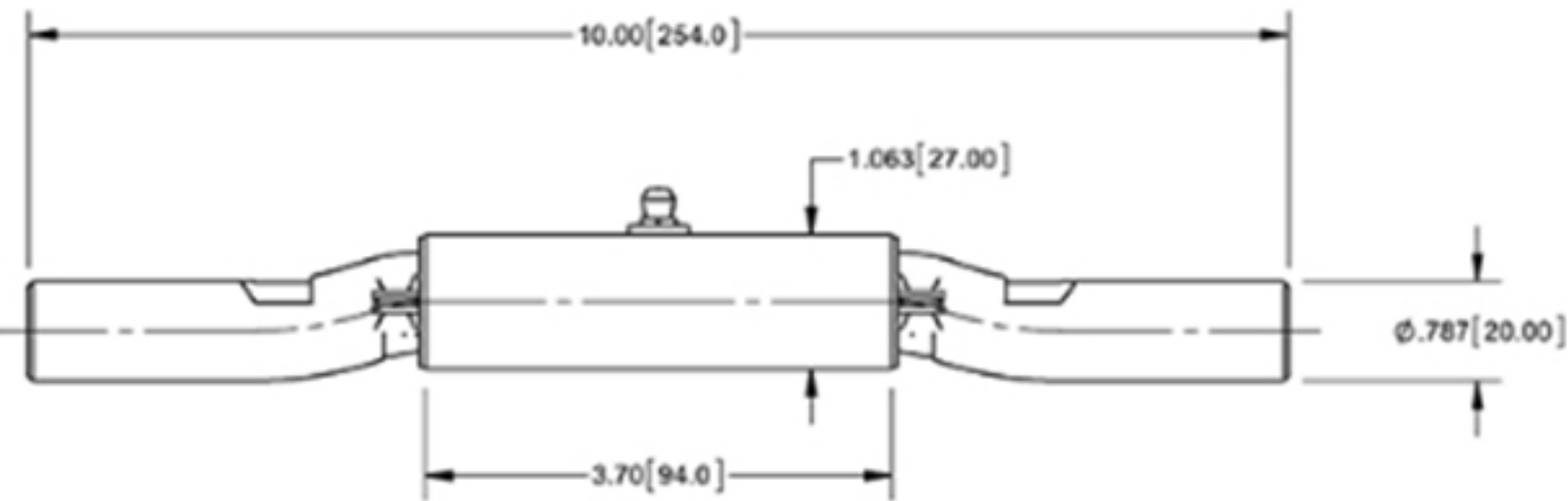


TECHNICAL DRAWING



Tower Industry
YOUR MANUFACTURING BASE IN CHINA

Sales@tower-machinery.com
www.tower-machinery.com

TW-ABH-AL001G

Weld on Ramp Hinge

DIMENSIONS: 10"

MATERIAL: Aluminum

FINISH: No