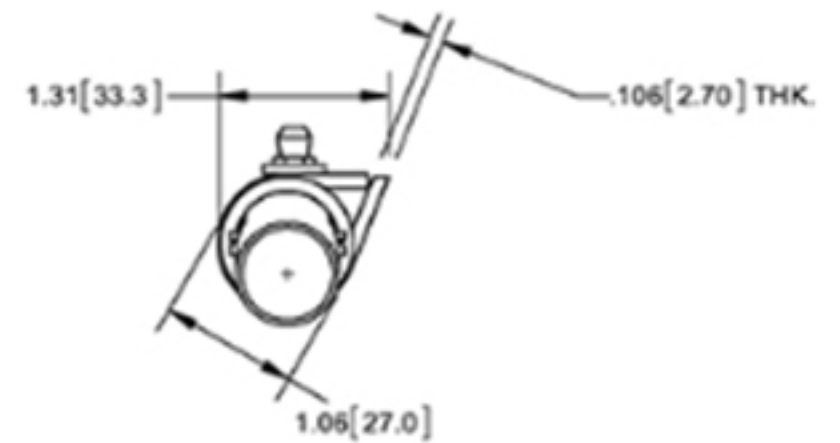
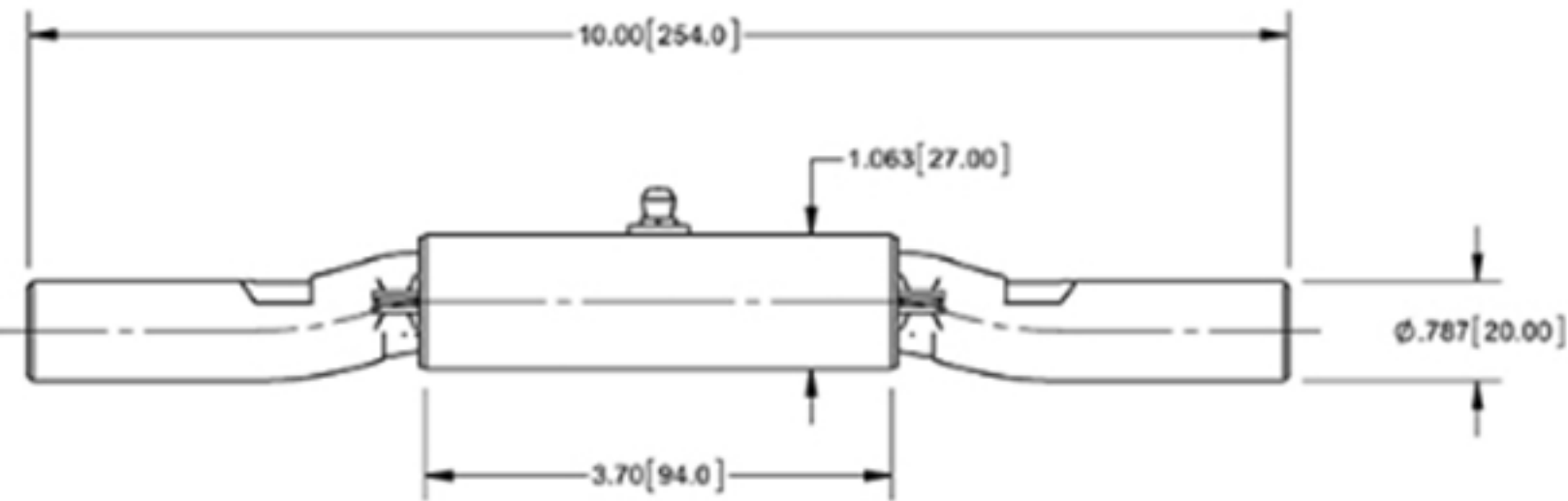


# TECHNICAL DRAWING



**Tower Industry**  
YOUR MANUFACTURING BASE IN CHINA

Sales@tower-machinery.com  
www.tower-machinery.com

TW-ABH-001G

Weld on Ramp Hinge

DIMENSIONS: 10"

MATERIAL: Steel

FINISH: No