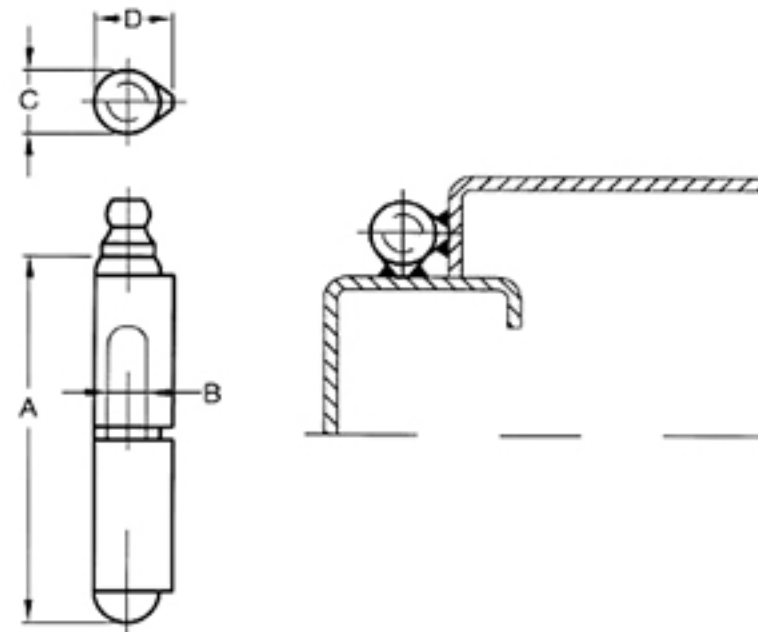


# TECHNICAL DRAWING



Model	Material	mm A		mm B		mm C		mm D	
		mm	in.	mm	in.	mm	in.	mm	in.
ASSP60-G	Aluminum Hinge W/SS Washer & Pin	60	2.362	6	0.236	10	0.394	11.9	0.467
ASSP80-G	Aluminum Hinge W/SS Washer & Pin	80	3.149	8	0.314	13	0.511	15.5	0.61
ASSP100-G	Aluminum Hinge W/SS Washer & Pin	100	3.937	10	0.394	16	0.629	19.6	0.772
ASSP120-G	Aluminum Hinge W/SS Washer & Pin	120	4.724	10	0.394	16	0.629	19.6	0.722
ASSP135-G	Aluminum Hinge W/SS Washer & Pin	135	5.315	13	0.511	18	0.709	22	0.866
ASSP150-G	Aluminum Hinge W/SS Washer & Pin	150	5.905	13	0.511	20	0.787	25.4	1.00
ASSP180-G	Aluminum Hinge W/SS Washer & Pin	180	7.086	13	0.511	20	0.787	25.4	1.00
ASSP200-G	Aluminum Hinge W/SS Washer & Pin	200	7.874	16	0.629	23	0.905	28.5	1.122

**Tower Industry**  
YOUR MANUFACTURING BASE IN CHINA

Sales@tower-machinery.com  
www.tower-machinery.com

Aluminum Weld on Hinge  
with Stainless Steel Pin  
and Grease Fitting

DIMENSIONS: 60~200mm

MATERIAL: Aluminum

FINISH: No