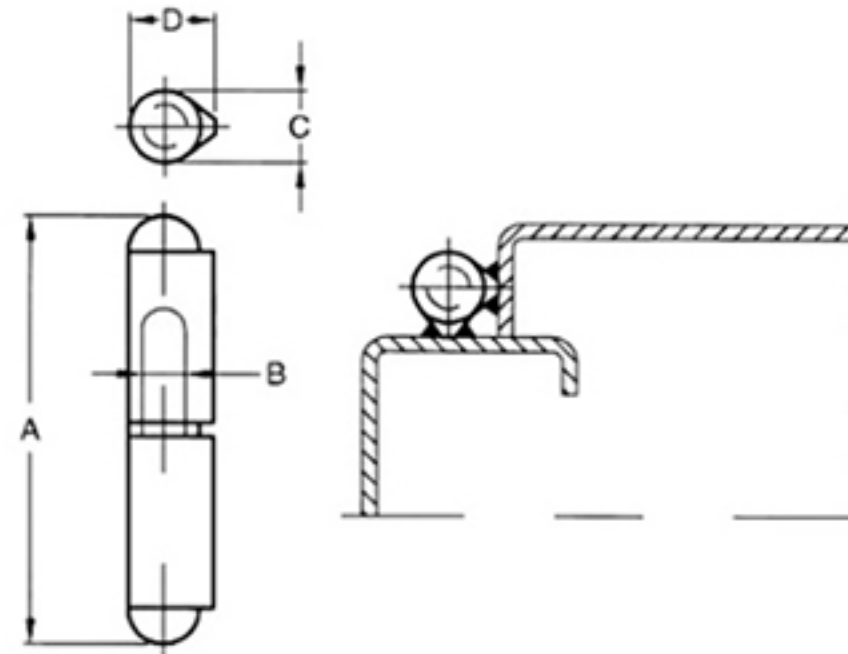


TECHNICAL DRAWING



Model	Material	mm	A	in.	mm	B	in.	mm	C	in.	mm	D	in.
ASSP60	Aluminum Hinge W/SS Washer & Pin	60		2.362	6		0.236	10		0.394	11.9		0.467
ASSP80	Aluminum Hinge W/SS Washer & Pin	80		3.149	8		0.314	13		0.511	15.5		0.61
ASSP100	Aluminum Hinge W/SS Washer & Pin	100		3.937	10		0.394	16		0.629	19.6		0.772
ASSP120	Aluminum Hinge W/SS Washer & Pin	120		4.724	10		0.394	16		0.629	19.6		0.722
ASSP135	Aluminum Hinge W/SS Washer & Pin	135		5.315	13		0.511	18		0.709	22		0.866
ASSP150	Aluminum Hinge W/SS Washer & Pin	150		5.905	13		0.511	20		0.787	25.4		1.00
ASSP180	Aluminum Hinge W/SS Washer & Pin	180		7.086	13		0.511	20		0.787	25.4		1.00
ASSP200	Aluminum Hinge W/SS Washer & Pin	200		7.874	16		0.629	23		0.905	28.5		1.122

Tower Industry
YOUR MANUFACTURING BASE IN CHINA

Sales@tower-machinery.com
www.tower-machinery.com

Aluminum Weld on Hinge
with Stainless Steel Pin

DIMENSIONS: 60~200mm

MATERIAL: Aluminum

FINISH: No