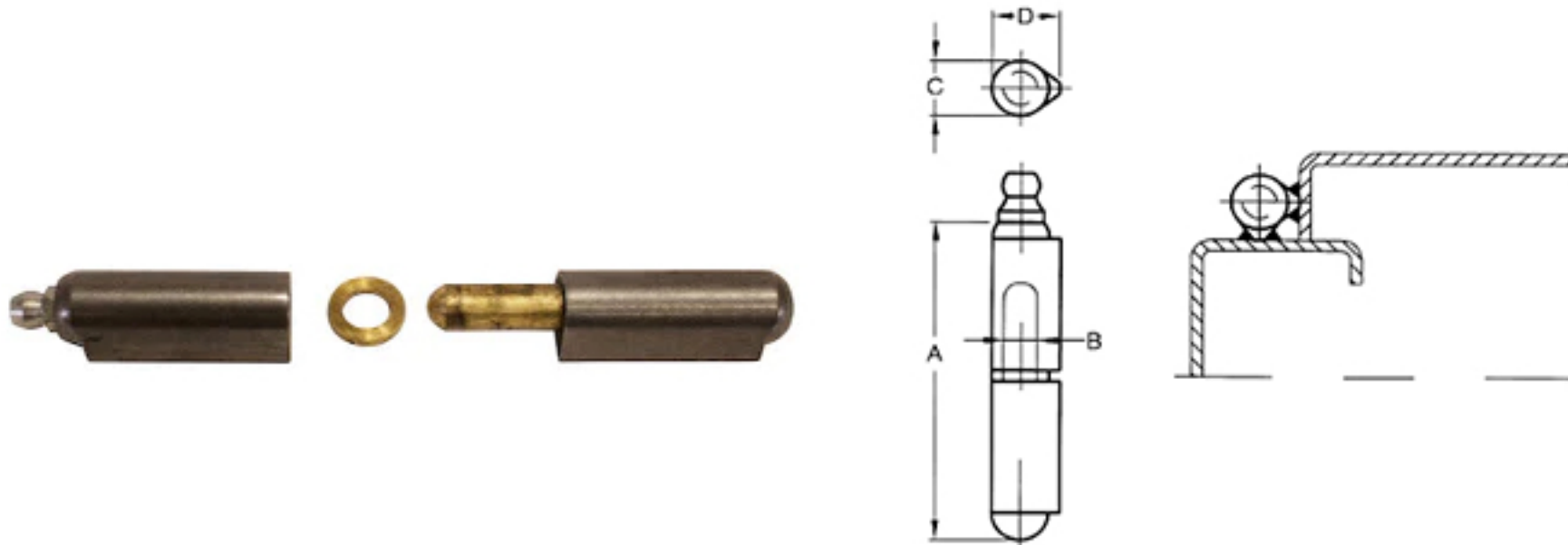


TECHNICAL DRAWING



Model	Material	mm A		mm B		mm C		mm D	
		mm	in.	mm	in.	mm	in.	mm	in.
SBP60-G	Brass Pin with Brass Washer	60	2.362	6	0.236	10	0.394	11.9	0.467
SBP70-G	Brass Pin with Brass Washer	70	2.755	6	0.236	11.5	0.452	13.2	0.52
SBP80-G	Brass Pin with Brass Washer	80	3.149	8	0.314	13	0.511	15.5	0.61
SBP100-G	Brass Pin with Brass Washer	100	3.937	10	0.394	16	0.629	19.6	0.772
SBP120-G	Brass Pin with Brass Washer	120	4.724	10	0.394	16	0.629	19.6	0.722
SBP135-G	Brass Pin with Brass Washer	135	5.315	13	0.511	18	0.709	22	0.866
SBP150-G	Brass Pin with Brass Washer	150	5.905	13	0.511	20	0.787	25.4	1.00
SBP180-G	Brass Pin with Brass Washer	180	7.086	13	0.511	20	0.787	25.4	1.00
SBP200-G	Brass Pin with Brass Washer	200	7.874	16	0.629	23	0.905	28.5	1.122
SBP260-G	Brass Pin with Brass Washer	260	10.236	19	0.75	27.8	1.094	37.1	1.46

Tower Industry
YOUR MANUFACTURING BASE IN CHINA

Sales@tower-machinery.com
www.tower-machinery.com

Steel Weld on Hinge
with Brass Pin and Grease Fitting

DIMENSIONS: 60~260mm

MATERIAL: Steel

FINISH: No