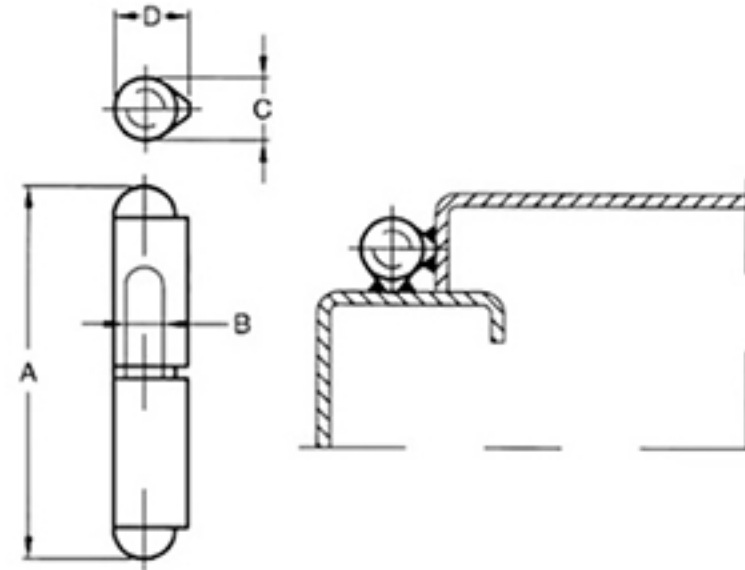


TECHNICAL DRAWING



Model	Material	mm A		mm B		mm C		mm D	
		mm	in.	mm	in.	mm	in.	mm	in.
SBP40	Brass Pin with Brass Washer	40	1.574	5	0.196	8	0.314	10	0.394
SBP50	Brass Pin with Brass Washer	50	1.968	5	0.196	8	0.314	10	0.394
SBP60	Brass Pin with Brass Washer	60	2.362	6	0.236	10	0.394	11.9	0.467
SBP70	Brass Pin with Brass Washer	70	2.755	6	0.236	11.5	0.452	13.2	0.52
SBP80	Brass Pin with Brass Washer	80	3.149	8	0.314	13	0.511	15.5	0.61
SBP100	Brass Pin with Brass Washer	100	3.937	10	0.394	16	0.629	19.6	0.772
SBP120	Brass Pin with Brass Washer	120	4.724	10	0.394	16	0.629	19.6	0.722
SBP135	Brass Pin with Brass Washer	135	5.315	13	0.511	18	0.709	22	0.866
SBP150	Brass Pin with Brass Washer	150	5.905	13	0.511	20	0.787	25.4	1.00
SBP180	Brass Pin with Brass Washer	180	7.086	13	0.511	20	0.787	25.4	1.00
SBP200	Brass Pin with Brass Washer	200	7.874	16	0.629	23	0.905	28.5	1.122
SBP260	Brass Pin with Brass Washer	260	10.236	19	0.75	27.8	1.094	37.1	1.46

Tower Industry
YOUR MANUFACTURING BASE IN CHINA

Sales@tower-machinery.com
www.tower-machinery.com

Steel Weld on Hinge
with Brass Pin

DIMENSIONS: 40~260mm

MATERIAL: Steel

FINISH: No