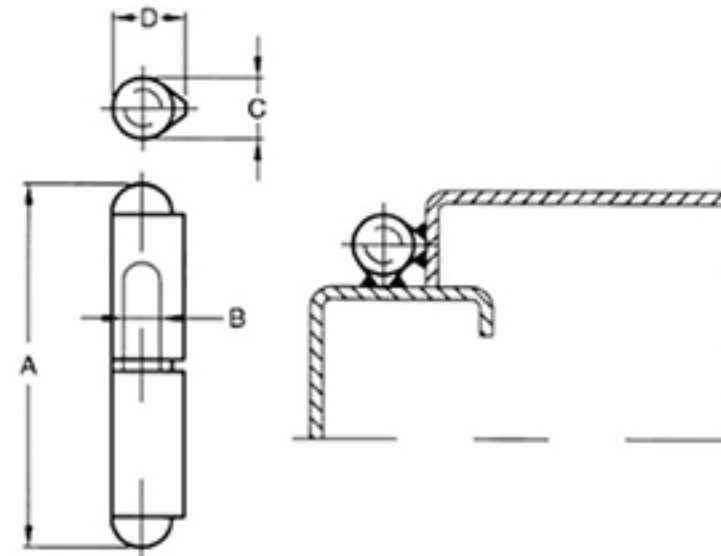


# TECHNICAL DRAWING



Model	Material	mm A		mm B		mm C		mm D	
		mm	in.	mm	in.	mm	in.	mm	in.
SP40	Steel Pin with Brass Washer	40	1.574	5	0.196	8	0.314	10	0.394
SP50	Steel Pin with Brass Washer	50	1.968	5	0.196	8	0.314	10	0.394
SP60	Steel Pin with Brass Washer	60	2.362	6	0.236	10	0.394	11.9	0.467
SP70	Steel Pin with Brass Washer	70	2.755	6	0.236	11.5	0.452	13.2	0.52
SP80	Steel Pin with Brass Washer	80	3.149	8	0.314	13	0.511	15.5	0.61
SP100	Steel Pin with Brass Washer	100	3.937	10	0.394	16	0.629	19.6	0.772
SP120	Steel Pin with Brass Washer	120	4.724	10	0.394	16	0.629	19.6	0.722
SP135	Steel Pin with Brass Washer	135	5.315	13	0.511	18	0.709	22	0.866
SP150	Steel Pin with Brass Washer	150	5.905	13	0.511	20	0.787	25.4	1.00
SP180	Steel Pin with Brass Washer	180	7.086	13	0.511	20	0.787	25.4	1.00
SP200	Steel Pin with Brass Washer	200	7.874	16	0.629	23	0.905	28.5	1.122
SP260	Steel Pin with Brass Washer	260	10.236	19	0.750	27.8	1.094	37.1	1.46
SP300	Steel Pin with Brass Washer	300	11.811	17	0.669	32	1.259	36	1.417

**Tower Industry**  
YOUR MANUFACTURING BASE IN CHINA

Sales@tower-machinery.com  
www.tower-machinery.com

Steel Weld on Hinge  
with Steel Pin

DIMENSIONS: 40~300mm

MATERIAL: Steel

FINISH: No